

**20 YEAR
WARRANTY
AGAINST
CORROSION**



- 1 - Snare + screw-down cover (ref. OD3/CV600 / ...), Ø 600. *Option*
- 2 - Screw-down extension shafts (ref. RH602), Ø 600, height 250 mm. *Option*
- 3 - Remote extraction device ND80 (ref. OD3/1924). *Option*
- 4 - Aeration F Ø 100.

Snare + screw-down cover (OD3/CV600/13), Ø 600 on ferrule Ø 1300. *Option*

Snare + screw-down cover (OD3/CV600/16), Ø 600 on ferrule Ø 1600. *Option*

Screw-down extension shafts (RH602), Ø 600, height 250 mm. The optional screw-down cover must also be ordered. *Option*

Grease level alarm, see page 28. *Option*

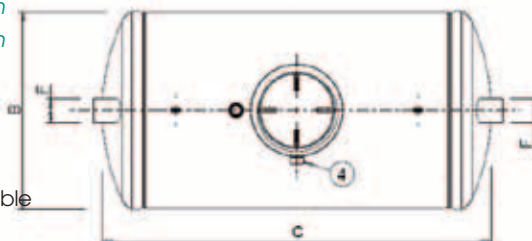
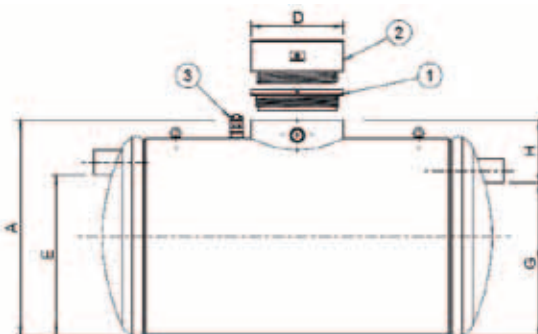
Remote extraction device ND80. *Option*

Anchoring strap (CA3/6394/10T) for an installation on ground with a water table or on hydromorphous ground, for a Ø 1300 or Ø 1600 tank. *Option*

Installation

(see installation instructions P064/P065)

Implementation of the grease separators is defined by the standard NF EN 1825-2. The device must be buried outside the building and as close as possible to the area to be treated. Manhole(s) always remain accessible for maintenance. We recommended a diameter of 100 mm for aeration, a device preventing the passage of insects and small animals is included. Ventilation spurs are made standard but must be blocked if efficient ventilation of the network is already present.



Reference	TN	A	Ø B	C	Ø D	E	Ø F	G	H	Silt storage Volume	Separator Volume	Number anchoring straps	Number of manholes
SG3/6622/08	8	1470	1320	2738	750	1070	160	1000	470	811	1960	2	1
SG3/6622/10	10	1470	1320	3338	750	1070	160	1000	470	1010	2412	2	1
SG3/6622/12	12	1792	1642	2706	750	1330	200	1260	532	1228	2961	2	1
SG3/6622/15	15	1792	1642	3276	750	1330	200	1260	532	1523	3619	2	1
SG3/6622/18	18	1792	1642	3896	750	1330	200	1260	532	1843	4334	2	1
SG3/6632/16020	20	1832	1642	4352	750	1320	200	1250	582	2013	4850	2	2
SG3/6632/16025	25	1832	1642	5612	750	1270	250	1200	632	2530	6049	2	2
SG3/6632/19030	30	2133	1940	4582	750	1570	250	1500	633	3022	7238	2	2
SG3/6632/19035	35	2133	1940	5702	750	1460	315	1390	743	3513	8415	2	2
SG3/6632/19040	40	2133	1940	6452	750	1460	315	1390	743	4007	9606	2	2
SG3/6632/23045	45	2557	2374	5112	750	1900	315	1830	727	4721	12014	3	2
SG3/6632/23050	50	2557	2374	5662	750	1900	315	1830	727	5315	13330	3	2
SG3/6632/23060	60	2557	2374	6712	750	1900	315	1830	727	6450	15843	3	2
SG3/6632/23070	70	2557	2374	7812	750	1900	315	1830	727	7638	18475	4	2
SG3/6632/23080	80	2557	2374	8912	750	1900	315	1830	727	8826	21108	4	2
SG3/6632/23090	90	2557	2374	9972	750	1900	315	1830	727	9970	23645	5	2
SG3/6632/23100	100	2557	2374	11062	750	1900	315	1830	727	11147	26253	5	2