

Tank guaranteed
15 years
against corrosion

TECHNICAL DEFINITION

The BIOXYMOP water-treatment plants are based on the principle of aerobic immersed fixed culture. The Bioxymop plants treat domestic wastewater coming from individual dwellings.

Designed to be easily installed, this sanitation solution guarantees one of the most efficient treatment (Ministerial approval N°2012-001 and CE marking).

OPERATION

The plants BIOXYMOP consist of 3 compartments :

- Primary decanter
- Aeration basin
- Clarifier

Domestic wastewater come into the primary decanter where larger particles and floatings are retained. Then the effluent passes through the aeration tank where dissolved pollutants are removed by purifying bacteria attached to the free supports.

The final stage of the treatment occurs in the clarifier. The treated effluent is separated from suspended solids.

The treated effluent meets the applicable standards.

Discharges of treated wastewater can be done in two ways :

- by drainage and infiltration into the soil
- by discharge to mid-water surface, subject to compliance with the applicable technical requirements.

INSTALLATION

Refer to data sheet P070 and P071.



ADVANTAGES

- Very low energy consumption : 190 kwh/year (<25€).
- Very small footprint : 3.6m²
- Low maintenance cost
- Low digging depth (<2m)
- Frequency of the drainings spaced
- Installation on ground with or without a water table
- Primary decanter with a large volume
- Easy handling
- Good tolerance to load variations
- Easy maintenance

MAINTENANCE

All maintenance instructions are in the maintenance book.

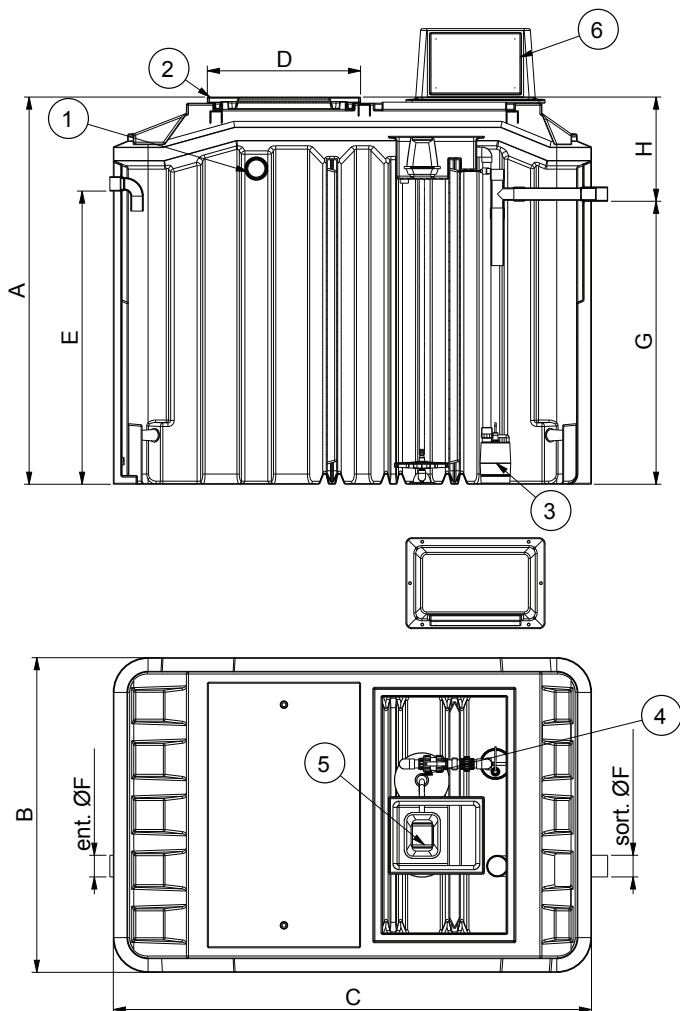
GUARANTEE

The guarantee only applies if the offered conformity visit has been carried out.

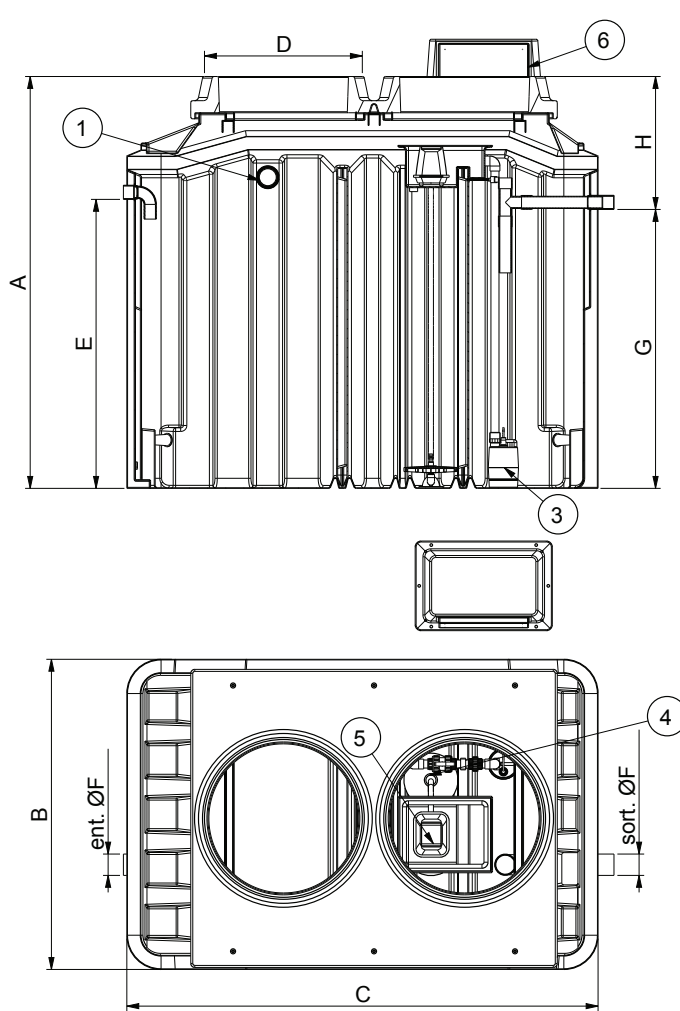
From the commissioning, a maintenance contract has to be take out with a specialized company accredited by SIMOP.

THE RESULTS OF THE GUARANTEE, THE OPERATION AND ELECTROMECHANICAL PARTS CAN ONLY BE ACQUIRED ON THIS CONDITION.

BIOXYMOP 6025/06



BIOXYMOP 6025/06/00



- 1- Aeration ND100
- 2- Frame 2.5KN
- 3- Recirculation pump
- 4- Diffuser
- 5- Compressor
- 6- External box for compressor (option)

Reference	Closing type	A	B	C	D	E	F	G	H
BIOXYMOP 6025/06	Frames	1895	1540	2340	750	1420	100	1370	525
BIOXYMOP 6025/06/00	Manholes	2045	1540	2340	750	1420	100	1370	675

Options :
REP2/04/04
REL4/6025

Sampling manhole
External box for compressor