

## DEFINITION

A connection box is a residential peripheral product used for a better transit of the effluent in accordance with standard XP P 16-603. It also facilitates the maintenance of the pipes and effluent samples. Our connection boxes in polyethylene resist surface run-off and parasite waters and are insensitive to H2S.

### REP2/04/04

This polypropylene repartition box is composed by :  
 - a height body 420 mm with a flat bottom. It allows a homogeneous distribution of the effluent towards the 6 exits  
 - 6 entries Ø 100 and 1 exit Ø 100 to emerge (perforation ensured by stamping the hammer)  
 - a screw-down cover CV220-1

### REC2/02/13

This collecting box used at the exit of a sand filter is composed by :  
 - a polyethylene height body 1300 mm  
 - 6 entries Ø 100 and 1 exit Ø 100 to emerge (perforation ensured by stamping the hammer)  
 - a screw-down cover CV220-1

### RH2/03/15 – RH2/02/30

The screw-down extension shafts RH2/03/15 and RH2/02/30 are composed by :  
 - a polyethylene body,  
 - a thread at the top to have the possibility to install a cover,  
 - a bottom thread to screw the extension shaft on the connection box.

## INSTALLATION

Bore the holes of inlets and outlets of connection boxes by unblocking the covers thanks to a wedge of wood and a hammer.  
 Position the connection boxes on a level.  
 Backfill with sand.  
 The extension shafts RH2/03/15 and RH2/02/30 enable to level the cover with the finished ground.  
 The manhole cover must always remain accessible for maintenance.

## OPERATION

Concerning the repartition boxes : the effluent reaches one inlet and is then distributed to one or more outlets. These outlets are 6 maximum in accordance with standard XP P 16-603 (ex-DTU 64-1).

The repartition boxes must be used as closure boxes too.

Concerning the collecting boxes : the effluent reaches the inlets which would been connected. The effluent is then discharged to the outfall passing by the outlet which would been connected.

## MAINTENANCE

A connection box requires no specific maintenance.



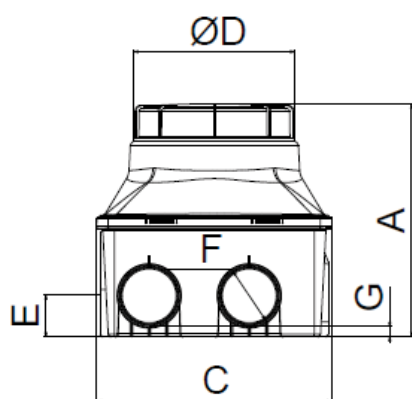
REP2/04/04



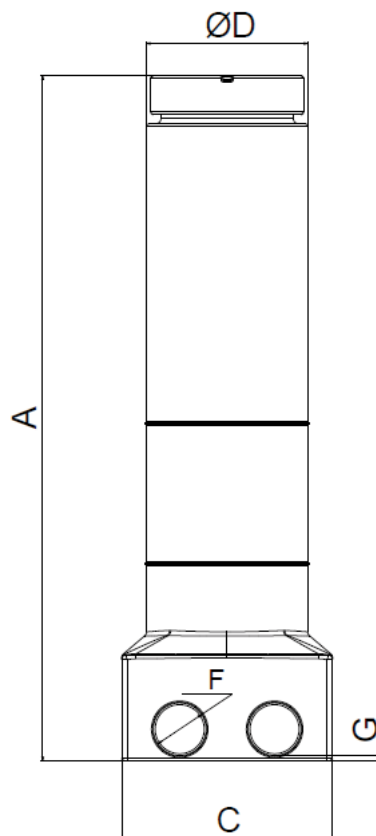
RH2/03/15



REC2/02/13



REP2/04/04



REC2/02/13

Reference	A	B	C	E	F	G
REP2/04/04	400	306	400	75	100	20
REC2/02/13	1300	306	400		100	10

Options :  
RH2/03/15  
RH2/02/30

Screw-on extension shaft ND 306mm H 150 mm  
Screw-on extension shaft ND 306mm H 300 mm