

HORIZONTAL PRE-FILTER/DECOLLOIDER

Ø 160. INLET AND OUTLET

POZZOLAN FILTER MATERIAL

POLYETHYLENE (PE)

6365

Accessories

1 Technical definition

A decolloider, also known as a prefilter or clogging indicator, retains suspended solids. Placed after an all-water tank, it prevents premature clogging of downstream installations (landfills, filter beds...).

Quick sizing rules based on local regulations:
- 5 to 10% of the volume of an all-water tank.

2 Maintenance

Vacuum the supernatant annually. Check filter materials frequently. If they are clogged, remove them from the unit, hose them down and replace them. If clogging persists, check whether the tank needs to be emptied. If not, change the filter material. On average, filter material should be changed every 2 years.

4 Installation

Please refer to our website for current documents.

5 Functioning

The decolloider acts as a "fuse", trapping suspended solids and protecting the elements located downstream of the filter (sand filter with compact filter, etc.). It is ready for use once it has been filled with pozzolan (supplied separately).

The inlet diffuser tube acts as a jet break. The effluent arrives at the top of the gravel pack, to facilitate maintenance operations in the event of clogging (this principle limits the need to remove the filter material at each inspection and emptying). The decolloider should be filled with pozzolan, a heavy mineral filter material (regular grain size between 20 and 40 mm).

Reminder: Pozzolan must be ordered separately and is supplied in 40 kg bags (approx. 59 liters), reference PZ01.



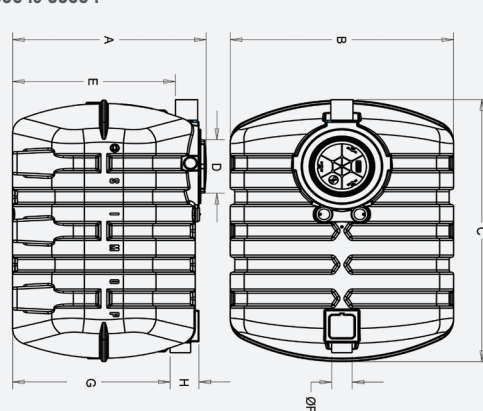
Decolloider
from 800 to 2000 l



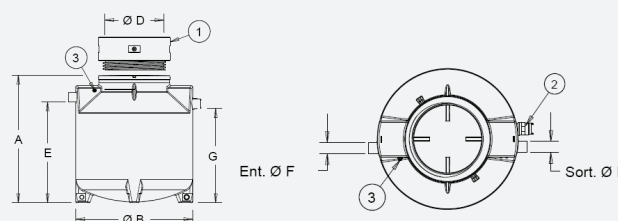
Decolloider
from 2500 to 5500 l



Decolloider
from 2500 to 5500 l



Decolloider
from 800 to 2000 l



WASTEWATER TREATMENT | WWTP > 20 PE

Standard version		Reinforced version								Mandatory option		
Reference	Reference	A	B	C	D	E	F	G	H	Volume of pozzolan (liters)	Pozzolan Ref PZ01 (No. of bags)	Socket type
DEC2/6365/0800	DEC2/6365/0800-R	1336	1244	-	760	1053	160	1003	308	800	13	RH602
DEC2/6365/1000	DEC2/6365/1000-R	1336	1244	-	760	1053	160	1003	308	1000	16	
DEC2/6365/2000	DEC2/6365/2000-R	1633	1720	-	760	1317	160	1267	323	2000	33	
DEC2/6365/2500	DEC2/6365/2500-R	1572	1450	2265	400	1310	160	1260	230	2500	41	RH2/4031
DEC2/6365/3500	DEC2/6365/3500-R-CV	1569	1810	2287	400	1330	160	1280	230	3500	58	
DEC2/6365/4500	DEC2/6365/4500-R-CV	1704	1977	2390	400	1463	160	1413	232	4500	75	
DEC2/6365/5500	DEC2/6365/5500-R	2295	2202	2103	600	2015	160	1965	282	5500	91	RH2/6030

Options :

RH602.....Screw-on extension (H=250mm)
RH2/4031Screw-on extension (H=300 mm)
RH2/6030Free-standing extension (H=300 mm)