

BIOXYMOP

9 AND 12 PE WASTEWATER TREATMENT PLANTS

WITH 3M³ PRIMARY CLARIFIER
POLYETHYLENE (PE)

6030

1 Technical definition

BIOXYMOP micro-stations are designed according to the aerobic fixed culture process and are used to treat domestic wastewater from individual homes.

Designed to be simple and easy to install, this system guarantees the most effective treatment.

2 Operation

The micro-stations are composed of 3 compartments:

- 3m³ Primary settling tank
- Aeration tank
- Clarifier

Domestic wastewater arrives in the primary settling tank where the heaviest materials are retained at the bottom and the floating materials on the surface.

The pretreated effluent then passes into the aeration basin where the dissolved pollution is eliminated by the purifying bacteria attached to the free supports.

The final stage of treatment is carried out in the clarifier .

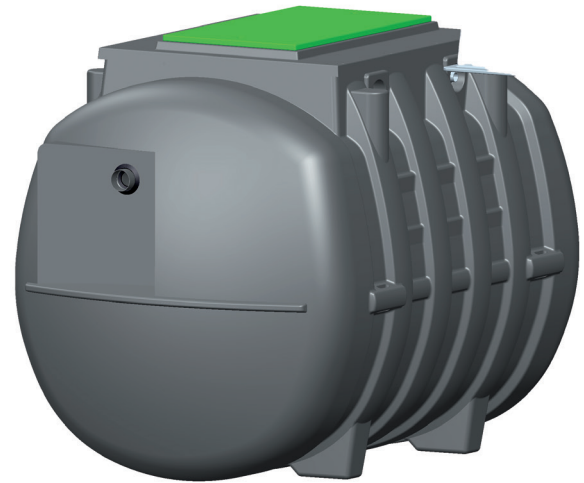
The treated effluent is separated from suspended solids.

The AIRLIFT system allows the recirculation of the effluent to the primary clarifier.

The treated effluent meets the requirements of standard EN12566-3 and the decree of 07/09/09 modified.

Treated wastewater can be discharged in two ways:

- by drainage and infiltration into the soil (preferable).
- by discharge into the surface water environment, subject to compliance with the technical prescriptions in force and an authorization from an engineering office.



WASTEWATER TREATMENT

3 Installation, Commissioning & Maintenance

Refer to data sheet P073.

The compressor must be installed outside the micro-station in the external box supplied. The air hose connecting the compressor to the station must be passed through a sleeve. The station is delivered with 10 m of air hose as standard.

10m of tricolore are provided (at delivery and are attached in the Bioxymop next to the pump). A commissioning assistance is offered with the product. To benefit from it, you just have to send the T letter provided with the Bioxymop documentation or to register the die on the website www.simop.fr

Afterwards, we strongly advise you to take out a maintenance contract with a SIMOP-approved specialist, to guarantee the long-term efficiency of the device, on the basis of an annual visit .



All maintenance instructions are included in the user's guide.

4 Guarantees

Simop guarantees that the Bioxymop micro-stations will treat domestic wastewater in accordance with the regulatory requirements in force at the time of their installation .

This performance is guaranteed under normal conditions of use, care and maintenance in accordance with the user's guide.

The PE tank is guaranteed for 10 years, if the installation conditions have been respected.

The electromechanical elements are guaranteed for 1 year under normal conditions of use.

The warranty period begins on the day the microTW is installed at the user's premises .

BENEFITS

- very low energy consumption
- very small footprint
- low maintenance cost
- shallow excavation depth (close to 2m)
- spaced out emptying frequency
- installation with or without water table
- Large volume of primary settling tank
- easy to handle
- accepts load variations
- easy to maintain

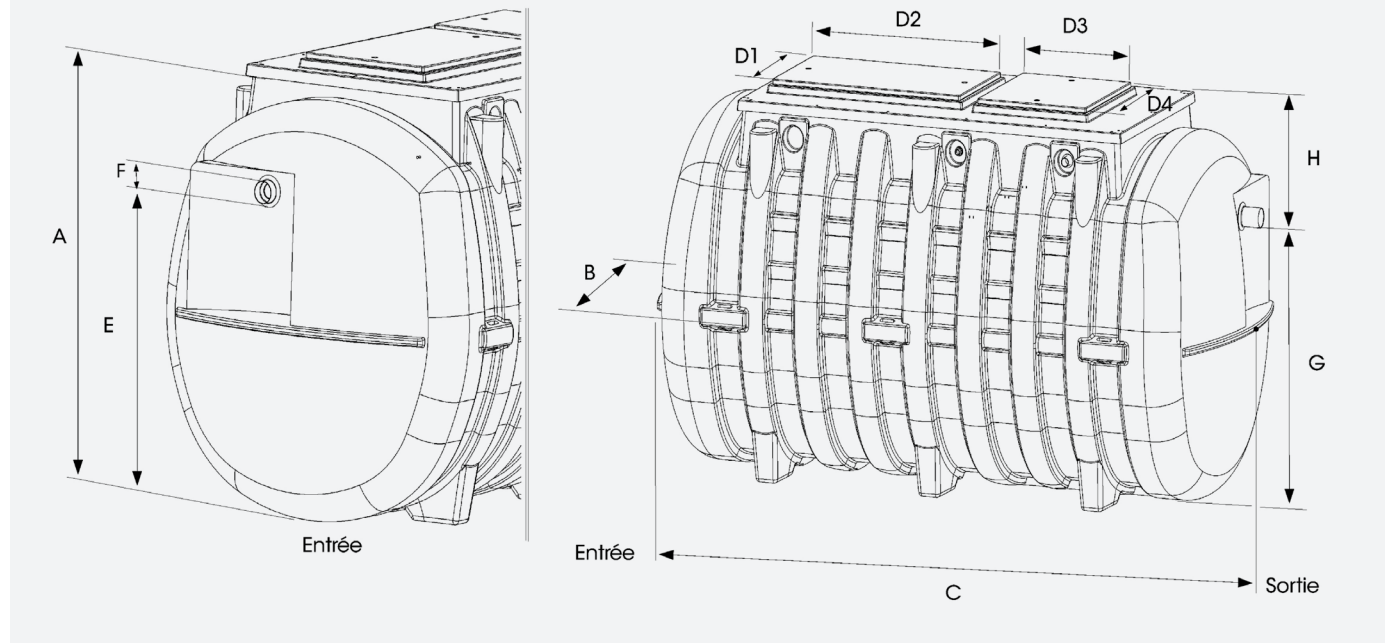
9 AND 12 PE WASTEWATER TREATMENT PLANTS

WITH 3M3 PRIMARY CLARIFIER
POLYETHYLENE (PE)

BIOXYMOP

6030

Dimensions of the microstation



WASTEWATER TREATMENT

Reference	Nb of PE	NB stamps	A	B	C	D1 x D2	D3 x D4	E	F	G	H	Weight in Kg
BIOXYMOP6030/09	9	1	2105	1946	2829	1130 x 570	-	1430	100	1380	725	560
BIOXYMOP6030/12	12	2	2105	1946	3954	1130 x 570	672 x 580	1480	100	1430	675	755
REP2/04/04	Sampling window											
RH2/2030-1	BIOXYMOP 9 and 12EH adjustable extension shaft (200 to 250 mm)											
RH2/2030-NR-1	Non-adjustable extension shaft BIOXYMOP 9 and 12EH (300 mm)											
RH6069	BIOXYMOP 12EH adjustable extension shaft (250 to 300 mm)											

For 9PE:

- RH2/2030-1 or RH2/2030-NR-1

For 12PE:

- RH2/2030-1 or RH2/2030-NR-1
- RH6069