

PREFILTER 200 & 500L

POLYETHYLENE (PE)

Accessories

6040

1 Technical definition

This device is also known as a decolloider or clogging indicator. It is installed after the outlet of a liquefier (all-water tank, septic tank) and before an underground sewage treatment or drained filter bed.

This device is designed to trap the coarsest sludge particles from pre-treatment devices.

The pre-filter is strongly recommended for retrofits with separate pre-treatment of black and grey water.

We recommend using our pre-filters as follows:

Choice of pre-filter depending on the liquefier:

Liquefier up to 4000 l.	DEC2/6040/0200
Liquefier up to 10000 l.	DEC2/6040/0500

2 Operation


The pre-filter works after being filled with pozzolan or other filtering materials.

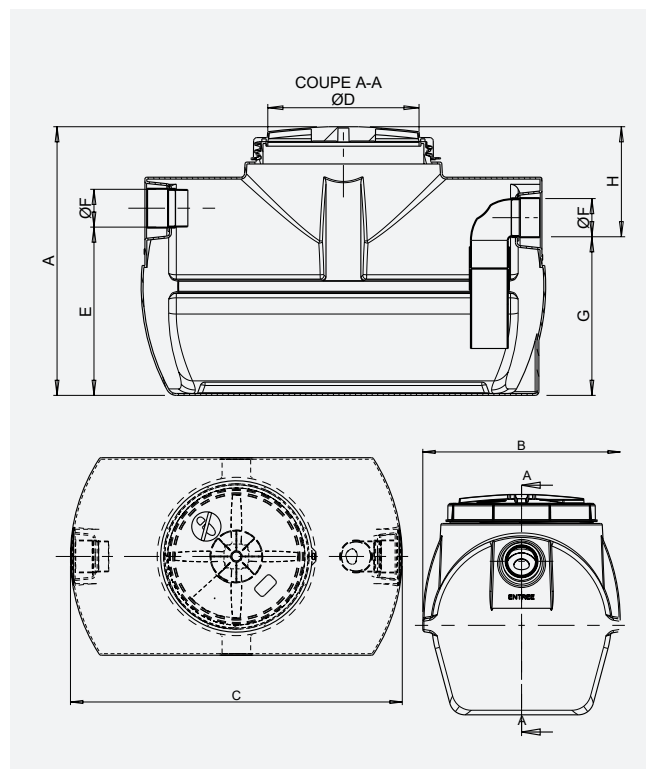
3 Installation

The unit will be installed outside the building, but as close as possible to the kitchens to avoid clogging the pipes. The cover should be level with the ground. The bottom of the pit must be perfectly flat and covered with 10 cm of sand. Backfilling should be done with sand, never with stone or gravel. Water should be added at the same time as backfilling.

If the appliance is installed with risers, we recommend providing lean concrete surrounding the top of the separator and the risers. In the event of vehicle traffic and in cases where the cover cannot reach ground level, the device must receive a concrete slab resting on the edge of the excavation and comprising an inspection cover. This slab will be calculated to withstand the constraints imposed.

The separator must be vented to allow degassing. No pumping installation should precede the separator to avoid the emulsification of the effluent.

 Do not install where there is a high water table or where the ground is liable to flooding.



4 Maintenance

It is advisable to check the condition of the filter material frequently. Filter materials should also be hosed down once a year.

As a rough guide, the pozzolan should be changed and the sludge settled at the bottom of the prefilter emptied every 2 years, or at the same time as the pit is emptied.

Reference	A	B	C	Ø D	E	Ø F	G	H	Volume	Number of pozzolan bags (ref. PZ01) 40kg bags
DEC2/6040/0200	710	637	1070	400	445	100	420	291	200	4
DEC2/6040/0500	839	830	1450	400	580	100	550	289	500	8
RH2/4031	Screw-on extension - height 300 mm									