

UNDERGROUND TANK FOR WATER STORAGE

FROM 10 TO 60 M³

POLYESTER (GRP)

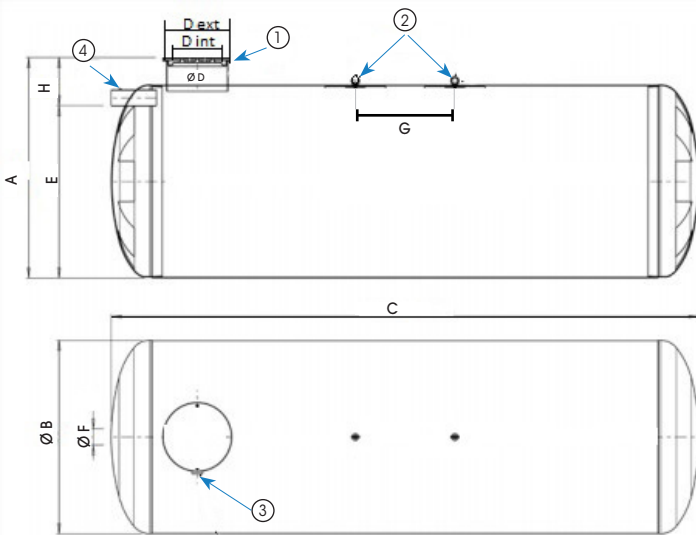
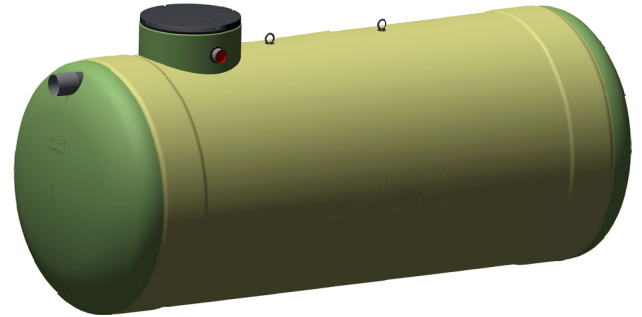
6323

1 Technical definition

Single-walled polyester storage tank for rainwater.
Each tank is fitted with a screw-on lid.
Ventilation is provided at the manhole.

2 Maintenance

The storage tank requires no special maintenance. It simply needs to be drained and cleaned periodically.



- 1- Manhole with outer diameter 770 mm and inner diameter 615 mm, fitted with screw-on cover
- 2 - Lifting rings
- 3 - Ventilation port \varnothing 100
- 4 - \varnothing 160 inlet

3 Installation

Please refer to the PHPRV-NV installation instructions (available on our website).

4 Guarantee

• **Biennial warranty** . The vat room is covered by a 10-year anti-corrosion warranty.

Options	
CA3/6394/10T	Anchoring belt 10T 10M
SPEED1900-2	Speed chassis for tank \varnothing 1900 from 10 to 15 m ³
SPEED2300-2	Speed chassis for \varnothing 2300 tank from 17 to 20 m ³
SPEED2300-3	Speed chassis for 25 and 30 m \varnothing 2300 tanks ³
SPEED2300-4	Speed chassis for 35 and 40 m \varnothing 2300 tanks ³
SPEED2300-5	Speed chassis for 45 and 50 m \varnothing 2300 tanks ³
SPEED2300-6	Speed chassis for 55 and 60 m \varnothing 2300 tanks ³

Reference	Usable volume in m ³	A	Ø B	C	Ø D int	Ø D ext	G	E	Ø F	H	Nb of belts (option)	Tare weight in Kg
FSE3/6323/1910	10	2188	1920	3990	600	615	600	1710	160	478	2	545
FSE3/6323/1912	12	2188	1920	4727	600	615	900	1710	160	478	2	625
FSE3/6323/1915	15	2188	1920	5847	600	615	1200	1710	160	478	2	750
FSE3/6323/2317	17	2605	2314	4552	600	615	1000	2110	160	495	2	830
FSE3/6323/2320	20	2605	2314	5302	600	615	1000	2110	160	495	2	935
FSE3/6323/2325	25	2605	2314	6562	600	615	1500	2110	160	495	3	1105
FSE3/6323/2330	30	2605	2314	7832	600	615	1600	2110	160	495	3	1275
FSE3/6323/2335	35	2605	2314	9072	600	615	2400	2110	160	495	4	1445
FSE3/6323/2340	40	2605	2314	10322	600	615	2200	2110	160	495	4	1615
FSE3/6323/2345	45	2605	2314	11582	600	615	2400	2110	160	495	5	1785
FSE3/6323/2350	50	2605	2314	12842	600	615	2400	2110	160	495	5	2055
FSE3/6323/2355	55	2605	2314	14092	600	615	2400	2110	160	495	6	2225
FSE3/6323/2360	60	2605	2314	15342	600	615	2400	2110	160	495	6	2395