

AUTOMATIC BAR SCREEN INCLINED 20 MM - DGI/6341/1 FOR WASTEWATER SYSTEMS FROM 50 P.E.

Accessories

6341

1 Description

● **1 • FRAME**

Forming a fairing with fasteners (by doweling or grouting).

● **2 • REMOVABLE GRID**

Height 400 mm. Bolted to frame. Mesh 20 mm.

● **3 • APPROACH RECEPTACLE**

● **4 • WASTE DISCHARGE HOPPER**

Equipped with a removable access panel.

● **5 • SHOVEL/CARRIAGE ASSEMBLY**

The carriage slides on a flat. The shovel is equipped with a toothed plate (removable) for cleaning the grid.

● **6 • GEARED MOTOR**

(SEW, P=0.18kW), three-phase, with single-belt drum.

● **7 • POLYESTER WEBBING**

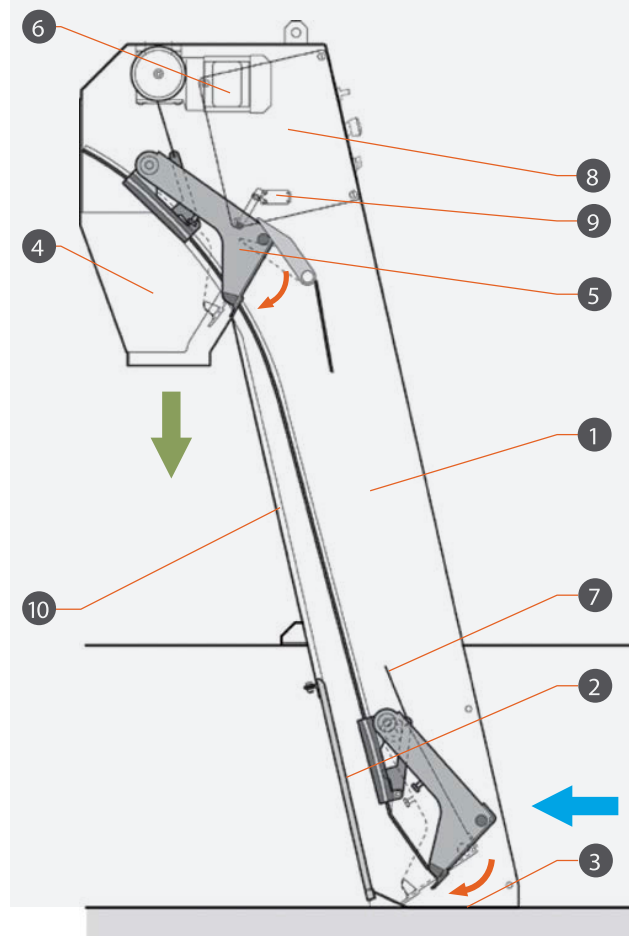
Resistant to all chemicals and frost (breaking strength = 3 tonnes).

● **8 • ELECTRICAL CONTROL & ASSERVATION BOX (OPTIONAL)
equipped with a :**

- Disconnecter
- Mushroom-type emergency stop
- 3-position switch "Auto", "0", "Manu" with manual override
- Power, "Fault" and "Fault acknowledgement" LEDs
- Programmable relay with display (optional day timer)
- Programmable relay inputs: "external run" or "auto remote run" - "Run" and "fault" feedback outputs.

● **9 • "Up" POSITION SWITCH**

● **10 • DEBRIS GUIDE**



2 Operation

At running order, the shovel/carrriage assembly descends open. At the end of the rails, the shovel lands on the approach receptacle.

The belt unwinds completely, then wraps around the drum in the opposite direction. The shovel/carrriage assembly rises, the shovel closes and engages its teeth in the grid.

At the grate outlet, the waste is trapped between the toothed plate and the "debris guide" plate.

At the top, when the toothed plate reaches the inclined plane, the screenings fall into the hopper.

The carriage then comes into contact with the "up" position switch, which stops the motor and activates the reverser.

The motor's direction of rotation is reversed and the shovel/carrriage assembly is lowered for a new cycle.

AUTOMATIC INCLINED BAR SCREEN

FOR WASTEWATER SYSTEMS FROM 50 P.E

6341

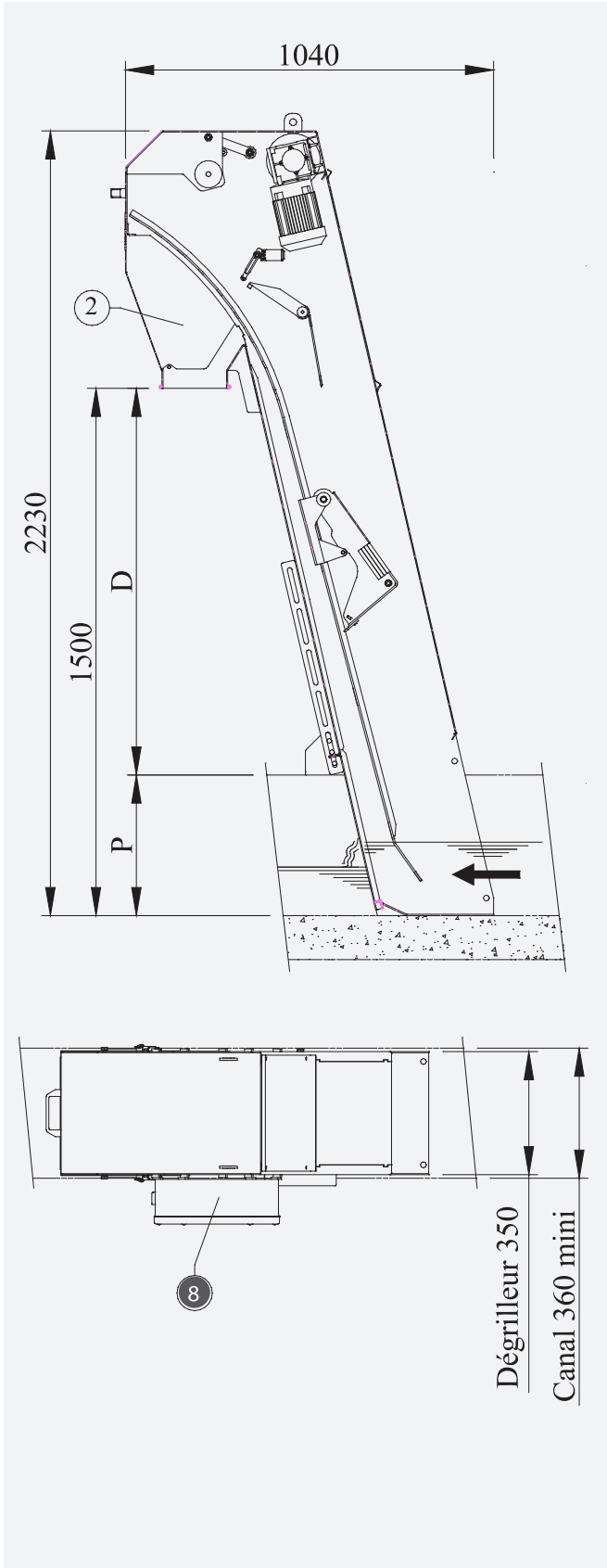
3 Choosing an electrical cabinet

AE/6341/DGI-1	DGI/6341 inclined screen electrical cabinet
AE/6341/DGI-OPT1	220 V mono power supply
AE/6341/DGI-OPT2	24 Vdc solar power pack

4 Options

DGI/6341/OP1	Added value for H=2m (instead of 1.5m)
DGI/6341/OP2	304L stainless steel deflector
DGI/6341/OP3	Frost-proofing the inclined plane
DGI/6341/OP4	Filter bag strap
DGI/6341/OP5	Pack of 50 filter bags
DGI/6341/OP6	Spare belt for DGI/6341
DGI/6341/OP7	Spare parts kit
DGI/6341/OP8	Safety pack
DGI/6341/OP9	304L stainless steel manhole for bar screen installation (without grating)
DGI/6341/OP10	Gratings for stainless steel manhole covers or concrete channels

Total weight	175 kg
Nominal flow rate	< 50m ³ /h
Grating air gap	= 20mm
Depth below surface (P)	= to be defined (1500 - D)
Dumping height (D)	= to be defined (1500 - P)
Minimum channel width	= 360 mm



WASTEWATER TREATMENT | WWTP > 20 PE

6341

SELF-CLEANING ROTARY SCREEN TR/6341/1 2.5MM SPACING FOR BIOXYMOP MAX

1 Description

The filter's supporting structure is made entirely of AISI 304 stainless steel, with a filter cylinder and a ramp equipped with spray nozzles, a scraper blade made of resistant material, a tank feeder with overflow, a collection tank and feet for anchoring to the ground.

- Gear motor with built-in adjustable torque limiting device.
- 2.5 mm gap available in the filter cylinder
- Flow rates range from 5 to 25m³/h.
- Tank feeder with overflow included and AISI 304 stainless steel collection tank.
- AISI 304 stainless steel filter cylinder with trapezoid-section crossbars wrapped in a spiral formation around a longitudinal bar structure. It is mounted on the load tank with long-life lubricated bearings.
- BLADE SCRATCH, for cylinder cleaning, in brass, with stainless steel support filled with preset contrast device.
- Spray nozzles for backwashing the inside of the filter cylinder.
- Lateral PVC seal against liquid leakage.
- Worm gear and helical gear, with pre-torque and motor limitation device 400V three-phase, 50Hz, protection IP 55, insulation class F.

2 Operation

The wastewater to be treated is sent to a feed tank which is designed to ensure that the fluid is distributed over the entire surface of the filter cylinder.

The particles contained in the wastewater come into contact with the filtering cylinder, which, through slow rotation, transports them to the outside, where they are removed by a skimming blade.

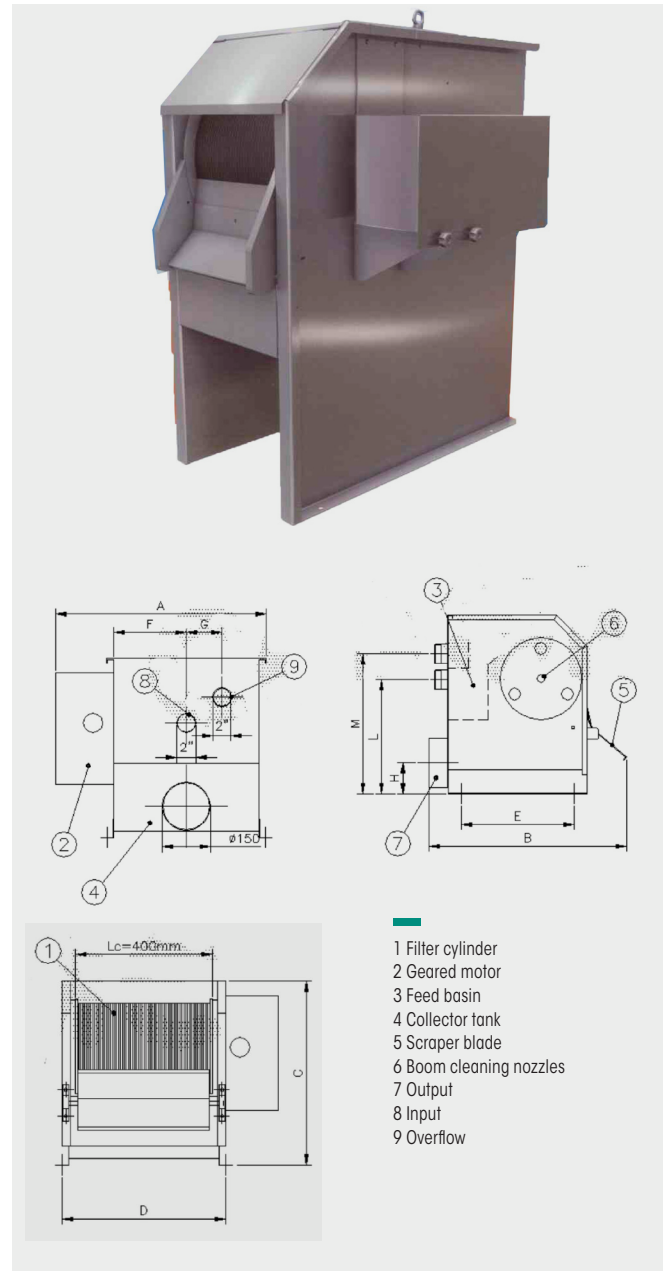
The filtered water passes through the interior of the drum and exits again through the bottom filter face, thus cleaning the filter surface.

In addition, the system includes a further internal washing of the filter cylinder using nozzle sprays.

3 Mandatory

AE/6341/2

Sieve control panel TR/6341/1



WASTEWATER TREATMENT | WWTP > 20 PE

REFERENCE	A	B	C	D	E	F	G	H	L	M	Weight	Spacing	Max. flow m ³ /h	Power Kw
TR/6341/1	670	600	560	550	493	226.5	111.5	80	358	438	60	2.5	32	0.18

WASTE COMPACTOR TR/6341/OPT1 FOR BIOXYMOP MAX OPTIONAL FOR ROTARY SCREEN

Accessories

6341

1 Description

Made entirely from AISI 304 stainless steel, it features a compression chamber with an oleodynamic piston.

- Hydraulic control unit complete with valves and pressure gauge.
- Hoper and a reservoir to collect the liquid.
- Compression chamber in AISI 304 stainless steel.
- Complete with sliding brass runners for the piston.
- Hydraulic control unit with AISI 304 stainless steel tank, 90 micron suction filter, gear pump, automatic reverse thrust valves, pressure control gauge.
- Electric motor for gear pump operation; 380 volts, 3-phase, 50 Hz. IP 55 protection.
- Hydraulic piston controlled by hydraulic unit via SAE 100 high-pressure hose.

2 Functioning

Solid material with a high water content enters the upper and flows down to the compression chamber.

The compression chamber features brass runners for piston sliding and oblong holes in the bottom for water drainage.

A hydraulic piston with a back-and-forth action pushes the material towards a cone-shaped, throttling element at the end of the compression chamber.

At this stage, the compression-dried material (with a water content of up to 25%) passes through a transport tube into the containers provided.

The separated water is collected in a tank beneath the compactor and passed on to the entire conditioning process.

The hydraulic piston pressure can be adjusted to suit the type and quantity of material.

3 Mandatory

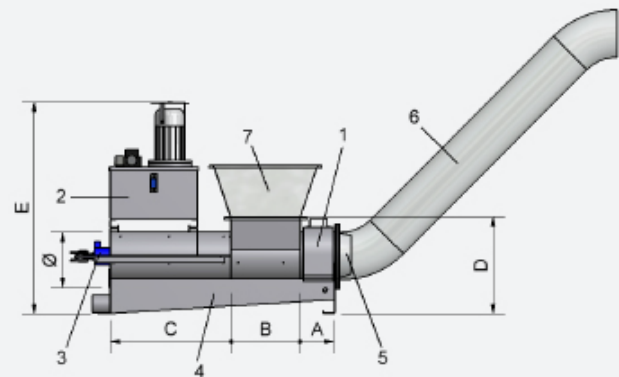
AE/6341/3

TR/6341/1 + TR/6341/OPT1 compactor electrical control panel

4 Option

AE/6341/OPT1

Cabinet mounting foot



- 1- Compaction chamber
- 2- Hydraulic control unit
- 3- Hydraulic piston
- 4- Waste collection bath

- 5- Cone reduction
- 6- Optional tube for conveying compacted materials
- 7- Feed cone option

WASTEWATER TREATMENT

REFERENCE	A	B (l x L)	C	D	E	Ø	Max. flow ^{m³/h}	Power Kw
TR/6341/OPT1	200	400 X 300	650	550	1250	273	3	1.5