

QUICK-FIT FRAME FOR POLYESTER TANKS WITH CYLINDRICAL FERRULE

Accessories

6399

1 Technical definition

Quick-installation frames facilitate the installation of GRP tanks (primary clarifiers, micro-stations, hydrocarbon or grease separators) and significantly reduce installation time.

The tanks are delivered strapped and positioned level on the speed chassis.

2 Installation

1- Create a perfectly level excavation and lay a^{350kg/m³} concrete bed of sufficient thickness to withstand external loads and pressures.

2- Place the tank/frame assembly on the levelled concrete

3- Fill the tank with water to a depth of 20 cm

4- Pour a new layer of^{350kg/m³} concrete up to the top of the embankments to ballast the structure. During this stage, take care not to destabilize the structure (it must remain perfectly level).

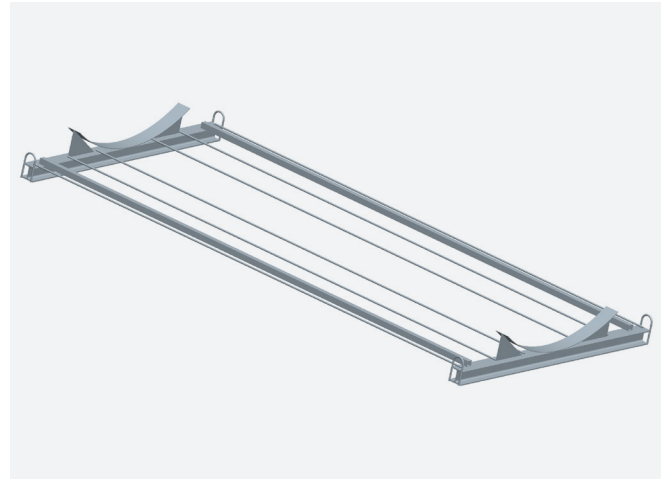
5- Complete the installation according to the installation instructions for the appliance concerned.

NB: Take care to fill the tank with water and backfill the outer sides at the same time, to avoid any risk of shell breakage.

Features

The quick-fit frames are made of black steel and comprise :

- Cradles
- Profile type IPN100
- Concrete reinforcing bars and 40x40 tube
- Anchoring rings
- Anchoring belts



Options

CA3/6394/10T	Anchoring belt 10T 10M
SPEED1900-2	Speed chassis for Ø 1900 tank from 10 to 15 m ³
SPEED2300-2	Speed chassis for tank Ø 2300 from 17 to 20 m ³
SPEED2300-3	Speed chassis for 25 and 30 m ³ Ø 2300 tanks
SPEED2300-4	Speed chassis for 35 and 40 m ³ Ø 2300 tanks
SPEED2300-5	Speed chassis for 45 and 50 m ³ Ø 2300 tanks
SPEED2300-6	Speed chassis for 55 and 60 m ³ Ø 2300 tanks



Consult us for dimensions and costing.

