

GREASE TRAPS

V100 SILT STORAGE - SIZE 25 TO 100

INSTALLATION WITH OR WITHOUT GROUND WATER

MAXIMUM BACKFILL HEIGHT OF 500 MM

POLYESTER (PRV)

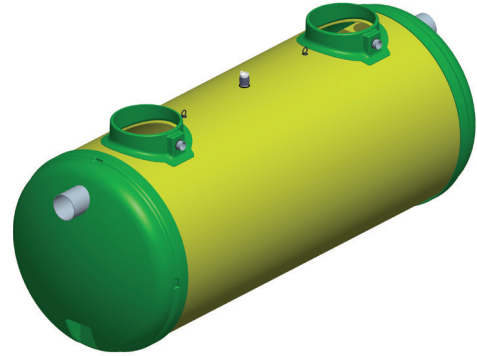
6632

1 Technical definition

A grease separator is a device designed to separate and store solid matter, fats and oils of animal and vegetable origin contained in household water. A V100 silt storage area is integrated in each unit.

The device is equipped with a Ø 750 mm manhole cover as standard. As an option, the device can be equipped with a collar and a Ø 600 mm screw-on cover (OD3/CV600/...). On this cover can be mounted screw-on extensions 250mm high (option RH602).

Our devices comply with the standard NF EN 1825-1 and are CE marked. The grease retention capacity is 40 liters per l/s.



2 Use

Concerning small communities and professional installations, collective kitchens, restaurants the obligation to install grease separators is based on the standard departmental sanitary regulations and the public health code. **For the food-processing industries** for food industries, it is essential to transmit the CCTP of a technical research department to establish the dimensioning of an adapted device.

3 Maintenance

The cleaning company must empty the unit regularly, from 15 days to 2 months, depending on the amount of solids and grease collected.



IMPORTANT after each complete draining, wash the unit and fill it immediately with clean water.

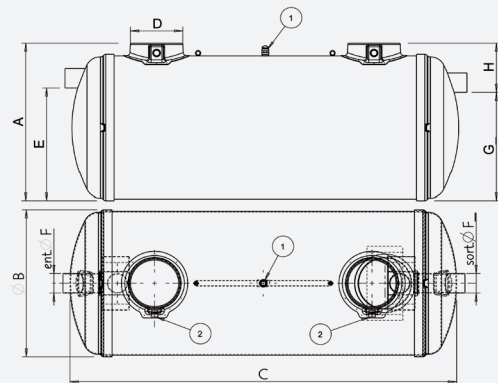
4 Installation



IMPORTANT : Please refer to our website to consult the current documents, especially the PHPRV-NC installation instructions.

5 Remote extraction

Remote extraction in DN80 is possible by ordering the option OD3/1924. The installer must supply and install a PVC pressure pipe to be connected to the unit outlet and must place the fireman's coupling supplied with the option at the curb.



1 - Remote extraction DN80 (ref. OD3/1924). Option
2 - F spigot Ø 100 (duct passage if alarm)

Reference	Size	A	Ø B	C	D	E	Ø F	G	H	Volume Sludge trap (l)	Volume Separator (l)	Number of holes man	Number belts anchor
SG3/6632/16025	25	1832	1642	5612	750	1270	250	1200	632	2530	6049	2	2
SG3/6632/19030	30	2133	1940	4582	750	1570	250	1500	633	3022	7238	2	2
SG3/6632/19035	35	2133	1940	5702	750	1460	315	1390	743	3513	8415	2	2
SG3/6632/19040	40	2133	1940	6452	750	1460	315	1390	743	4007	9606	2	2
SG3/6632/23045	45	2557	2374	5112	750	1900	315	1830	727	4721	12 014	2	3
SG3/6632/23050	50	2557	2374	5662	750	1900	315	1830	727	5315	13 330	2	3
SG3/6632/23060	60	2557	2374	6712	750	1900	315	1830	727	6450	15 843	2	3
SG3/6632/23070	70	2557	2374	7812	750	1900	315	1830	727	7638	18 475	2	4
SG3/6632/23080	80	2557	2374	8912	750	1900	315	1830	727	8826	21 108	2	4
SG3/6632/23090	90	2557	2374	9972	750	1900	315	1830	727	9970	23 645	2	5
SG3/6632/23100	100	2557	2374	11 062	750	1900	315	1830	727	11 147	26 253	2	5

Options :

- RH602.....Screw-on extension Ø 600, height 250 mm
- ANG3-4.....Level alarm for grease traps
- ANG3-4-N.....Simplified level alarm for grease traps (1 probe possible)
- SNB/SG.....Sludge probe
- OD3/1924.....Remote extraction device DN80
- CA3/6394/10T.....Click anchor belt for installation in groundwater or hydromorphic soil.