

# STARCH SEPARATORS

## APOLLO RANGE, SIZE 1 TO 5

IN-GROUND OR ABOVE-GROUND INSTALLATION  
MAXIMUM BACKFILL HEIGHT OF 800 MM  
POLYETHYLENE (P)

**6636**

### 1 Technical definition

A starch separator is a device designed to break down foam and store any solids.

A starch foam spray system is installed above the effluent inlet from the potato peeler.

The spray system must be controlled by the peeler.

### 2 Use

For small communities and professional facilities such as kitchens and restaurants the obligation to install grease separators stems from the standard departmental sanitary regulations and the public health code.

### 4 Installation

#### Buried installation :

The unit is to be installed underground, in the presence of groundwater or in hydromorphic soil whose level does not exceed the upper generatrix of the unit.

Where vehicles pass over the separator, or where the height of the backfill above the separator exceeds 800 mm, a reinforced concrete slab should be poured, supported on the undisturbed ground, so that the separator is not directly subjected to the loads.

**IMPORTANT :** Respect the recommendations of the installation sheet P046. Ventilation ; see notice C010.

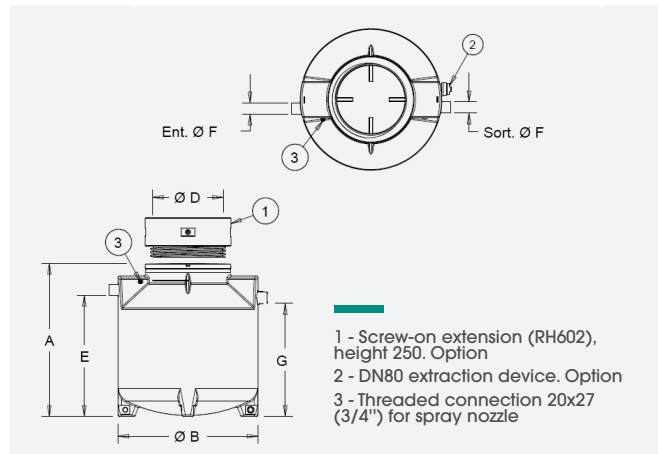
#### Elevation installation :

The unit must be installed level on a perfectly flat and smooth surface. The cover must always remain accessible for maintenance.

**IMPORTANT :** Please refer to our website for current documentation. For above-ground installation, the room must be equipped with a water collection and drainage system to prevent flooding in the event of overflow

GARANTIE  
CONTRE LA  
CORROSION  
JUSQU'À  
**20 ANS**

CE  
EN 1825-1



### 5 Remote extraction

Remote extraction DN80 is possible by ordering option **OD4-BBTN 1 to 5** (depending on size). The installer must supply and install a PVC pressure suction pipe to be connected to the unit outlet, and must place the fireman's connector supplied with the option at the curb.

| Reference   | Size | A    | Ø B  | Ø D | E    | Ø F | G    | H   | Volume of sludge trap (l) | Volume Separator (l) | Extraction device option |
|-------------|------|------|------|-----|------|-----|------|-----|---------------------------|----------------------|--------------------------|
| SF2/6636/01 | 1    | 765  | 1244 | 600 | 485  | 100 | 415  | 350 | 103                       | 262                  | OD4-BBTN1                |
| SF2/6636/02 | 2    | 1059 | 1244 | 600 | 779  | 100 | 709  | 350 | 205                       | 509                  | OD4-BBTN2                |
| SF2/6636/03 | 3    | 1356 | 1244 | 600 | 1076 | 100 | 1006 | 350 | 306                       | 756                  | OD4-BBTN3                |
| SF2/6636/04 | 4    | 1100 | 1720 | 600 | 825  | 100 | 755  | 345 | 416                       | 982                  | OD4-BBTN4                |
| SF2/6636/05 | 5    | 1330 | 1720 | 600 | 975  | 160 | 905  | 425 | 526                       | 1228                 | OD4-BBTN5                |
| SF2/6636/06 | 6    | 1475 | 1720 | 600 | 1120 | 160 | 1050 | 425 | 612                       | 1468                 | OD4-BBTN6                |
| SF2/6636/07 | 7    | 1635 | 1720 | 600 | 1280 | 160 | 1210 | 425 | 722                       | 1720                 | OD4-BBTN7                |

#### Options :

RH602 .....Polyethylene extension to screw on, height 250 mm