

## SOCKETS AND BUFFERS

6678

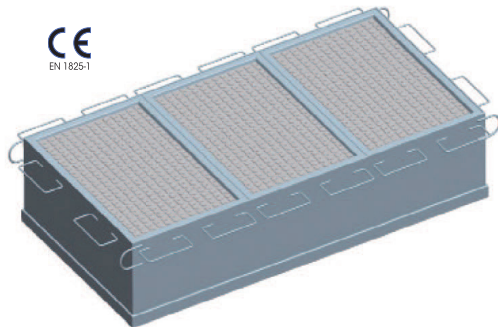
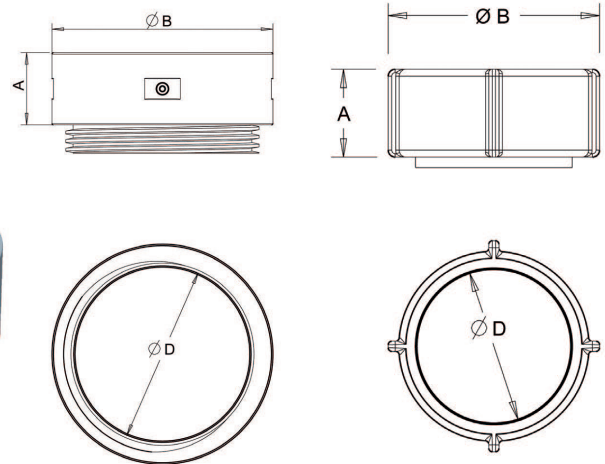
### 1 Technical definition

High-density polyethylene extension. Allows the pad to be level with the ground when the unit is buried and when it is frost-free.

Reference	RH 502	RH 505	RH 602
A	250	500	250
B	600	600	760
D	400	400	600



RH602 extension



CE  
EN 1825-1

### 1 Technical definition

- Manufactured in 304L stainless steel (EN 1.4307)
- Manufacture of buffers in stainless steel, or cast iron 1.5 kN, 125 kN,
- 250 kN (with frame)
- All heights are possible, depending on the most suitable currents from 500 to 1200 mm

To determine the item code, you need :

1	Separator type	Reference
	BIX	BI
	BIXAT	AI
	CNX	CN
	CNXAT	CA

2	Size:
	Sizes: 1, 2, 3, 4, 5, 6, 7, 8, 9, 10.

3	Case material :
	The housing is made of stainless steel : X

4	Outlet thread :
	Define outlet water level 50 The water run is the height in "cm" between the finished floor and the lower generatrix of the outlet spigot of each appliance.

5	Cover material :
	For a higher water level than the standard water level, the device requires a stainless steel extension: X

6	Cover load :
	Depending on device layout, 1.5 kN : 0 125 kN : B 250 kN : C

The item code will be :

1	2	3	4	5	6
CA	05	X	050	X	C

**Important :** regular maintenance of this equipment in accordance with EN 1825-2 is required.