

INSTALLATION INSTRUCTIONS FOR VISIMOP II MONOBLOC MANHOLES

PO31

1 General

A.1 - Generally speaking, follow the requirements of section 70 of the CCTG. Our manholes are designed to withstand a maximum water height of 2 m.

A.2 - The nature of the ground must be clearly understood by the user company. To do so, they must take into account the information provided by the project manager, or have a soil survey carried out.

A.3 - VISIMOP manholes must be installed in accordance with the installation instructions.

2 Excution of the excavation

B.1 - In order to properly compact the backfill, create the excavation by adding :

- at least 10 cm above the planned depth of the manhole
- about 60 cm Ø for Ø 600 manholes
- approximately 80 cm Ø for Ø 800 and Ø 1000 manholes

B.2 - Unless otherwise specified in the CCTP (TECHNICAL SPECIFICATIONS), to be submitted to Simop for approval, lay the bed with properly compacted sand to a minimum thickness of 10 cm.

3 Preparing the cunette

C.1 - Place the manhole in the excavation to check the location of the connections to be made.

C.2 - Use a hole saw ref. AD690-... to drill a hole in the drainage channel. corresponding to the pipe diameters to be connected and to the intended locations. Centering points are marked on the channel.

C.3 - After cutting, fit the joint ref. AD653 - ...corresponding to the diameter of the pipe to be connected

C.4 - Position the manhole on the laying bed and connect the pipes to the drainage channel as follows: • at the outlet, connect the pipe with its built-in gasket to the male pipe of the manhole, or use a sanitizing lip sleeve

- at the inlet, insert the pipe directly into the joint previously placed on the gutter.

To facilitate interlocking, it is advisable to coat the joints with soft soap. Sealing: all cut-outs must be deburred.

4 Backfill

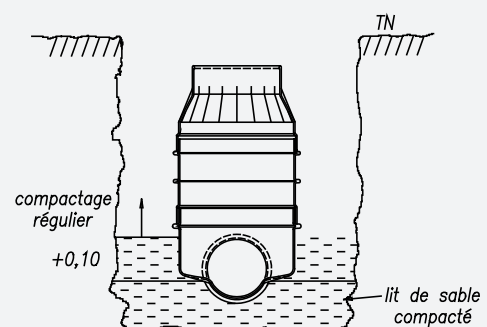
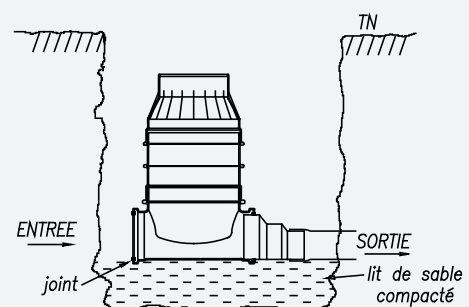
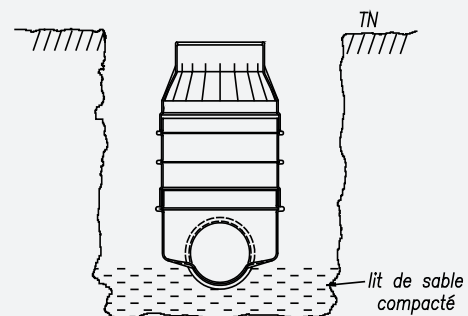
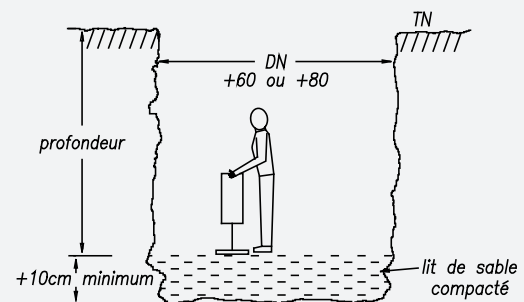
D.1 - Create the bedding by wedging the manhole box onto the bedding with sand up to a height of approximately +10 cm from the upper generatrix of the pipe (take care to compact the sand well under the box).

D.2 - After compaction all around the trench, backfill the trench between the manhole and the edge of the excavation with properly compacted sand in successive layers, using the reinforcement rings as reference points.

Compaction will be around 95% of the PROCTOR optimum.



IMPORTANT REMINDER the quality of compaction is essential to the durability of the structure.




INSTALLATION INSTRUCTIONS FOR VISIMOP II MONOBLOC MANHOLES

PO31

5 Closing

Place the gasket ref. AD 666-0630 around the manhole head, then install the prefabricated concrete load distributor ref. RCB602-20, topped with the cast-iron plug. The cast-iron plug will be fixed to the distributor in accordance with standard NFP98312-EN124.

If required, a 100 mm height adapter, ref. AHV612, can be fitted to the manhole head (the seal between the height adapter and the manhole head cannot be guaranteed)

 **IMPORTANT:** the manhole must not be enhanced, otherwise it will no longer be guaranteed.

6 Parasitic stings

- Parasitic tapping allows us to adapt to existing networks in the event of rehabilitation.
- They can only be carried out on the body of the manhole using the specific hole saws and gaskets supplied by SIMOP (parasitic hole saws).
- **The nominal diameter (DN) of a parasitic connection must never exceed 200 mm.**
- This type of connection should be the exception rather than the rule, as the rigidity of the manhole will be compromised **SIMOP does not guarantee the watertightness of parasitic tappings.**

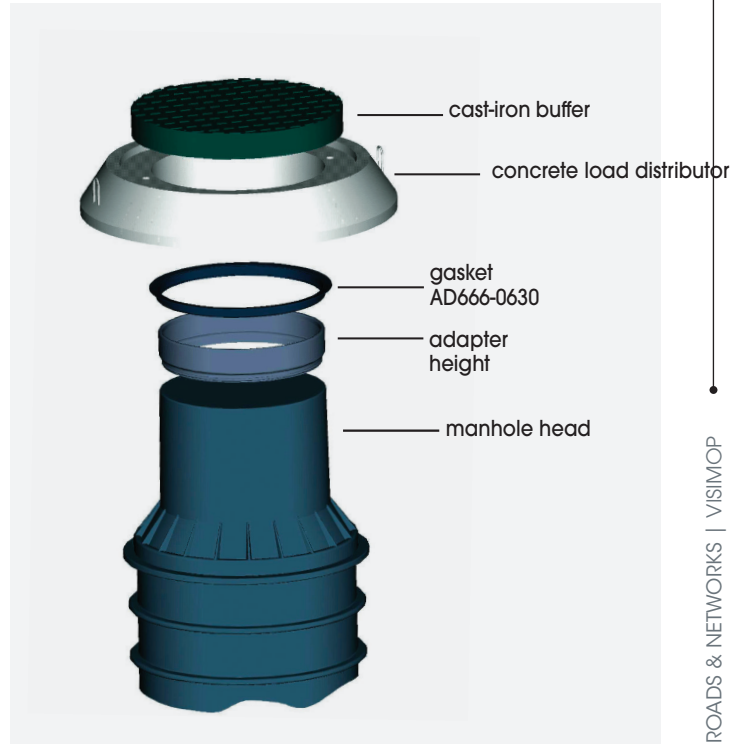
7 Watertight cover for sub-buffer

CV2/570 cover to be placed under the cast iron pad.

1. Tilt the pad and slide it through the cast-iron frame.
2. Press down on the other end so that it rests correctly on the eye's head.

To extract :

If water is present, use a screwdriver to remove the white plug in the center of the lid to discharge effluent. Lift it up using the rope provided or with the help of a bar that can be used as a lever.



INSTALLATION INSTRUCTIONS FOR VISIMOP II MONOBLOC MANHOLES

PO31

8 Special installation conditions in the presence of groundwater or hydromorphic soil

Backfilling is carried out under the same conditions as sand backfilling.

The backfill material (quarry gravel 0/31.5 recommended) must have a minimum density of 1.6 in the presence of water.

Visimop's one-piece design means it can be installed without risk of leakage in areas where the water table is very high (maximum 2 metres).

Visimop's reinforcement rings also act as anti-float rings on which the backfill rests, eliminating the need for concrete slab ballasting in most cases.

EXAMPLE OF FLOATABILITY CALCULATION

Assumptions :

Manhole height 3000 mm

Body diameter 800 mm

DN inlet / outlet 200 mm

Number of entries 5

Cast-iron buffer 250 kN

Concrete distributor 280 kg

Cone of thrust transmitted to embankment 16°

Archimedean thrust = 1345 liters or 1345 kg

Anti-floatation backfill load $2122 \text{ l} \times 1.6 = 3395 \text{ kg}$

So there's no need to backfill with concrete.



NOTE in this calculation, shear and friction forces have been neglected and must be added to the anti-floatation backfill load.