

VISIMOP II MONOBLOC WITHOUT RUNG MANHOLE Ø800

FOR PVC DN125*/160*/200*/250/315 3 INLETS - 1 OUTLET

* INPUT ONLY

5470

1 Definition

The VISIMOP Monobloc 5470, diameter 800 with 3 inlets, 1 outlet, in polyethylene is a manhole with access for cleaning and inspection, occasionally accessible by a person equipped with a harness. It is designed for free-flowing PVC networks in diameters 250 and 315, with the option of drilling inlets in diameters 125, 160, 200, 250 and 315.

Its strength and ease of use make it ideal for meet site requirements, whatever the access difficult.

As an option, the manhole can be fitted with accessories such as :

- 400 kN precast concrete load distributor, ref. RCB 602-20.
- Polyethylene adapter, height 100 mm, ref. AHV612.
- JVH connection joint for inlet tapping.
- Rubber gasket, diameter 630, ref. AD666-0630, for sealing between manhole head and load distributor.



NF A

CSTB - MARK NF442

Gravity drainage in thermoplastic materials

All product features certified under decision no. 78-04

DN PVC	Hole saws references unlogging and parasites	Joint references
125*	AD699-125	JVH125
160*	AD699-160	JVH160
200*	AD699-200	JVH200
250*	AD699-250	JVH250
315*	AD699-315	JVH315

* input only

2 Operation

In compliance with fascicule 70 and developed in partnership with public works professionals and project managers, it presents :

- Perfect sealing.
- Resistance to groundwater (height 2 m) through in relation to the culvert.
- A guarantee against corrosion.
- Ease of use.
- A hydraulic profile (2% slope).
- No retention of materials.
- A culvert with 3 connection options.

3 Installation

(see installation instructions P031)

Based on the floor plan you provided, a mark was made on each room and on the floor plan.

Check the diameter and orientation of your pipes.

Next, cut out the chosen location using the appropriate diameter hole saw.

Fit the appropriate connection seal.

Adjust the bottom of the excavation then place the manhole. Connect the inlet and outlet pipes. Place the backfill by compacting it in successive layers.

Position the gasket between the manhole head and the load distributor, if used.

Place the load distributor with the cast iron or polyethylene tear-off cover, as appropriate.

If groundwater is present, consult our Engineering Department.

4 Maintenance

Thanks to the quality of high-density polyethylene, VISIMOP manholes require no special maintenance.

5 Guarantee

Biennial warranty

Visimop comes with a 15-year guarantee against corrosion.

6 Option

See data sheet 5496



ACCESSORIES : see data sheets 5496 and 5498 - Caution: for use with RCB602-15 distributor, see data sheet 5498

The unit is NF a-certified, provided SIMOP accessories are used (hole saw, joint, concrete load distributor).

VISIMOP II MONOBLOC WITHOUT RUNG MANHOLE Ø800

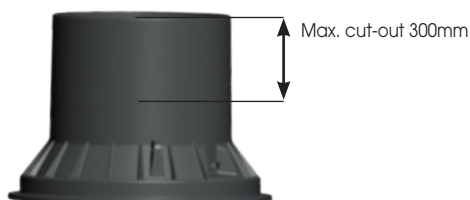
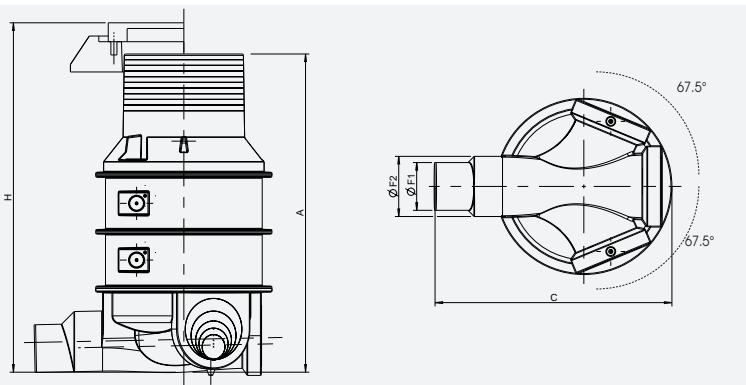
FOR PVC DN125*/160*/200*/250/315 3 INLETS - 1 OUTLET

* INPUT ONLY

5470

H = HEADROOM/CAST-IRON BUFFER TOP

The RCB602-20 load distributor was used to calculate the H dimension (see data sheet 5496)



Caution: height difference of 40 mm between inlet water fill at 67.5° and outlet water fill

REFERENCES	TECHNICAL DATA FOR PVC PIPE						
	A	C	Ø F1	Ø F2	H without cutting	H with max. cut-out	NF A certified
5470D16PV-11	1085	1211	250	315	1305	1005	YES
5470D16PV-14	1385	1211	250	315	1605	1305	YES
5470D16PV-17	1685	1211	250	315	1905	1605	YES
5470D16PV-20	1985	1211	250	315	2205	1905	YES
5470D16PV-23	2285	1211	250	315	2505	2205	YES
5470D16PV-26	2585	1211	250	315	2805	2503	YES
5470D16PV-29	2885	1211	250	315	3105	2805	NO
5470D16PV-30	3026	1211	250	315	3246	2946	NO
5470D16PV-33	3326	1211	250	315	3546	3246	NO
5470D16PV-36	3626	1211	250	315	3846	3546	NO
5470D16PV-39	3926	1211	250	315	4146	3846	NO
5470D16PV-42	4226	1211	250	315	4466	4146	NO

The unit is NF a-certified, provided SIMOP accessories are used (hole saw, joint, concrete load distributor).