

DEGREASER BINS FOR SINGLE-FAMILY HOMES

POLYETHYLENE (PE)

Accessories

6066

1 Technical definition

The grease trap is a device designed to retain grease-laden household wastewater just long enough for it to settle, and to stop it from clogging the sewer system. It is compulsory when the all-water tank is more than 10m from the house.

Choice :

- 200 l grease trap: for kitchen water only
- 500 l grease trap: for kitchen and bathroom water

Our polyethylene grease traps include :

- a tank fitted with dip elbows at the inlet and outlet
- a screw-on lid guaranteeing a perfect seal against odours.



Extensions the 200l and 500l grease traps are available with extensions to protect against freezing. The extensions can be screwed together to achieve the desired height.

For small communities and professional installations, see our range of grease separators in the pre-treatment catalog.

2 Operation

Gray water entering the device encounters a plunging elbow and is thus directed downwards to reach the separation zone. Fats lighter than water rise to the surface. The water released from the grease comes out after passing through the plunging elbow at the outlet.

3 Installation

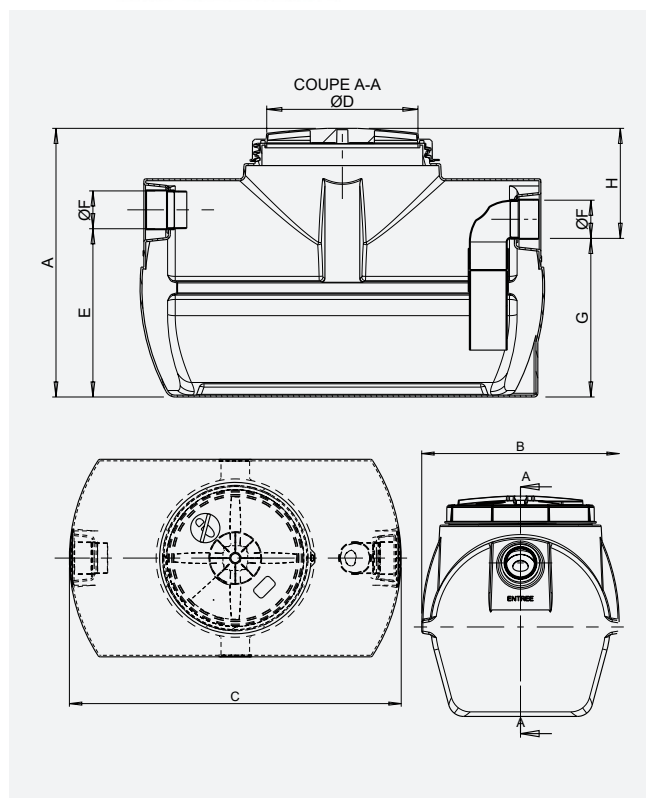
The device will be installed outside the building, but it will be placed as close as possible to the kitchens to avoid the clogging of the pipes. He must be buried. Its cover will arrive at ground level. The bottom of the excavation must be perfectly flat and covered with 10 cm of sand. The backfill will be done with sand and in no case with stone or gravel. The water filling will be done at the same time as the backfilling.

If the appliance is installed with risers, we recommend providing lean concrete surrounding the top of the separator and the risers. In the event of vehicle traffic and in cases where the cover cannot reach ground level, the device must receive a concrete slab resting on the edge of the excavation and comprising an inspection cover. This slab will be calculated to withstand the constraints imposed.

The separator must be vented to allow degassing. No pumping installation should precede the separator to avoid the emulsification of the effluent.



Do not install where there is a high water table or where the ground is liable to flooding.



4 Maintenance

We recommend very frequent visits, at least 4 times a year. Grease trapped on the surface of the grease trap must be removed.

Periodically, the unit should be drained, washed and immediately refilled with clear water using a hose with a diameter appropriate to the unit's volume.

Reference	A	B	C	Ø D	E	Ø F	G	H	Volume
BG2/6066/200	710	637	1070	400	445	100	420	291	200
BG2/6066/500	839	830	1450	400	580	100	550	289	500
RH2/4031	Screw-on extension - height 300 mm								