

VISIMOP II Ø1000

3 INLETS :FOR PVC BRANCH Ø 125/160 / 200/ 250/ 315/ 400

OUTLET FOR PVC Ø 200/250 OR PVC Ø 315/400

MADE OF POLYETHYLENE

5480

1 Advantages

The VISIMOP Monobloc 5480, diameter 1000 with 3 inlets - 1 outlet, made of polyethylene, is a manhole with steps. It is designed for free-flowing PVC networks in diameters 200, 250, 315 and 400, with the option of drilling inlets in diameters 125, 160, 200, 250, 315 and 400. Its strength and ease of installation enable it to meet all site requirements, whatever the difficulty of access.

As an option, the manhole can be fitted with accessories such as :

- 400KN precast concrete load distributor, ref. RCB 602-20 or RCB602-15
- Polyethylene adapter, 150 mm high, ref. AHV612.
- JVH connection joint for inlet tapping.
- Rubber gasket, ref. AD666-0630, for sealing between manhole head and load distributor.

Part no. Hole saw for uncorking	Joint reference
AD699-160	JVH160
AD699-200	JVH200
AD699-250	JVH250
AD699-315	JVH315
AD699-400	JVH400

For other accessories, see data sheet 5496

2 Operation

In compliance with fascicule 70 and developed with public works professionals and project managers, it presents :

- Perfect sealing.
- Resistance to groundwater (2 m above the culvert).
- A guarantee against corrosion.
- Ease of use.
- A hydraulic profile (2% slope).
- No retention of materials.
- A culvert with 5 connection options.



3 Guarantee

Visimop products are guaranteed for 10 years against corrosion.

4 Option

See data sheet 5496

5 Maintenance

Thanks to the quality of high-density polyethylene, VISIMOP manholes require no special maintenance.

Installation

See installation instructions P031

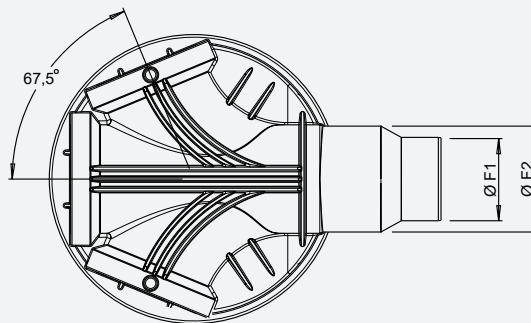
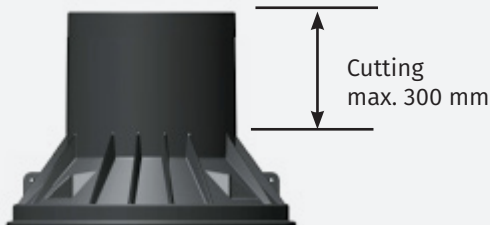
- Based on the floor plan you provided, a mark was made on each room and on the floor plan.
- Check the diameter and orientation of your pipes.
- Next, cut out the chosen location using the appropriate diameter hole saw.
- Fit the appropriate connection seal.
- Level the bottom of the excavation and place the manhole. Connect the inlet and outlet pipes. Place the backfill, compacting it in successive layers.
- Position the gasket between the manhole head and the load distributor, if used.
- Place the load distributor with the cast iron or polyethylene tear-off cover, as appropriate.
- If groundwater is present, consult our Engineering Department.
- The manhole must not be raised, otherwise it will no longer be guaranteed.

The unit is NF A-certified, provided SIMOP accessories are used (hole saw, joint, concrete load distributor).

VISIMOP II Ø1000

3 INLETS: FOR PVC CONNECTIONS Ø 125/160 / 200/ 250/ 315/ 400

OUTLET: FOR PVC Ø 200/250 OR PVC Ø 315/400

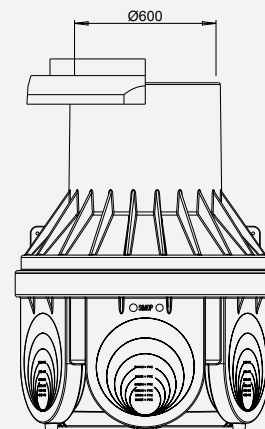
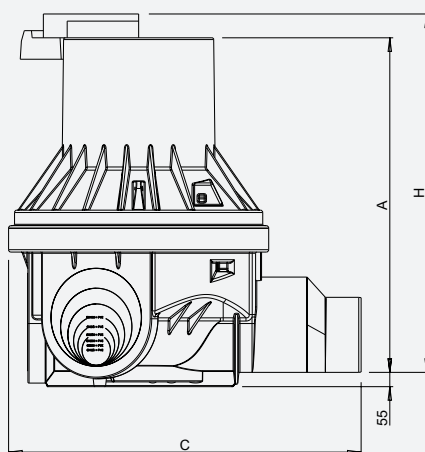


H = HEAD OF WATER/
CAST-IRON BUFFER TOP

To calculate dimension H,
the RCB602-20 load distributor
was used
(see data sheet 5498)

Please note:

- 10 mm height difference between inlet and outlet watercourse direct route
- Height difference of 30 mm between 67.5° inlet water and outlet water



REFERENCES	TECHNICAL SPECIFICATIONS FOR PVC TUBE						
	A	C	Ø F1 outlet	Ø F2 output	H without cut-out	H with max. cut-out	NF A certified
5480PV2025-14	1410	1470	200	250	1570	1270	yes
5480PV2025-17	1710	1470	200	250	1870	1570	yes
5480PV2025-20	2010	1470	200	250	2170	1870	yes
5480PV2025-23	2310	1470	200	250	2470	2170	yes
5480PV2025-26	2610	1470	200	250	2770	2470	no
5480PV2025-29	2910	1470	200	250	3070	2770	no
5480PV2025-32	3210	1470	200	250	3370	3070	no
5480PV2025-35	3445	1470	200	250	3605	3305	no
5480PV2025-38	3745	1470	200	250	3905	3605	no
5480PV2025-41	4028	1470	200	250	4188	3888	no

5480PV3140-14	1410	1480	315	400	1570	1270	no
5480PV3140-17	1710	1480	315	400	1870	1570	no
5480PV3140-20	2010	1480	315	400	2170	1870	no
5480PV3140-23	2310	1480	315	400	2470	2170	no
5480PV3140-26	2610	1480	315	400	2770	2470	no
5480PV3140-29	2910	1480	315	400	3070	2770	no
5480PV3140-32	3210	1480	315	400	3370	3070	no
5480PV3140-35	3445	1480	315	400	3605	3305	no
5480PV3140-38	3745	1480	315	400	3905	3605	no
5480PV3140-41	4028	1480	315	400	4188	3888	no

The unit is NF a-certified, provided SIMOP accessories are used (hole saw, joint, concrete load distributor).