

FLOATING BELLOWS TROUGH

POLYETHYLENE (PE)

6378

Accessories

1 Use

At the outlet of an all-water tank or decollector, allows homogeneous supply of the spreading network or filtration unit by tarpaulins.

2 Technical definition

- Pre-treated domestic wastewater network equipment that sequentially feeds a limestone treatment unit through filtration.
- Downstream of an all-water tank-type primary treatment unit.

3 Installation

- The unit should be buried as close as possible to the pre-treatment unit.
- The bottom of the pit must be perfectly flat and covered with at least 10 cm of sand.
- Backfill must be washed sand, never stone, gravel or earth.
- Before backfilling, fill the tank with clean water to the maximum level before filling the float.
- Where vehicles pass within a 3-meter radius, a concrete slab must be laid around the periphery of the unit, resting on the undisturbed ground. This slab must be designed to withstand the stresses imposed without bearing on the unit.
- The cover must remain accessible for maintenance.

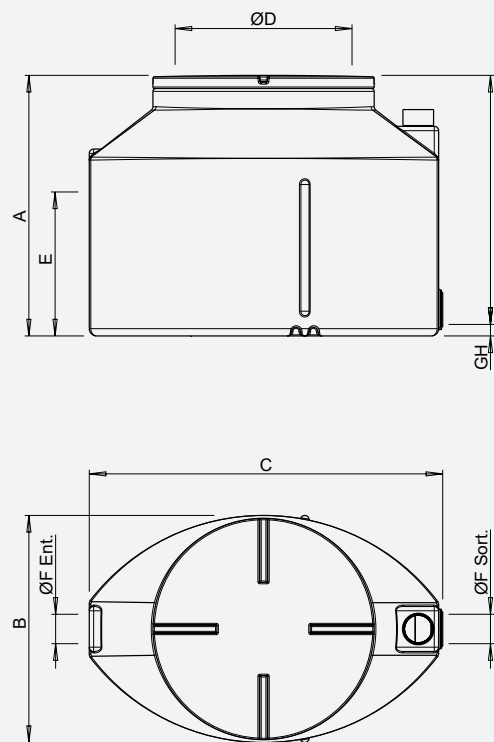
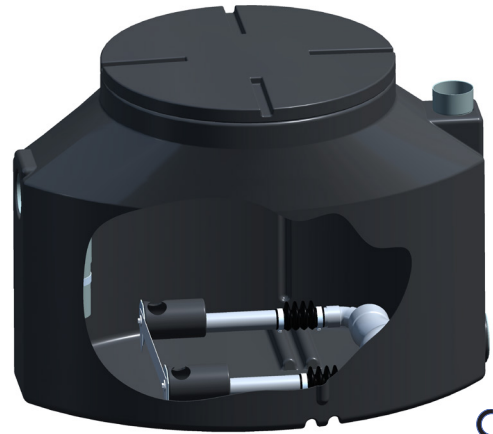
For clay, hydromorphic or groundwater soils, there are 2 installation options:



- 1. On a concrete slab reinforced with 1 rigid mesh (to prevent breakage of the slab in the event of strong Archimedean thrust), followed by a gravel bed (2/4 or 4/6) and gravel backfill (2/4 or 4/6).
- 2. On a bed of sand stabilized at 200 kg/m³ of cement, reinforced with 1 rigid mesh, followed by lateral backfill at the same dosage.

4 Maintenance

- Regularly clean the float and the tank bottom at least once a year.
- Check the condition of the hose, which is a wearing part.



RH 602 Screw-on extension, height 250 mm (1/manhole)

Reference	No. PE	Dimensions in mm									Optional float kit*
		A	B	C	Ø D	E	Ø F INLET	Ø F Output	G	H	
AF2/6378/200	22-44	895	780	1200	600	495	100	100	40	855	AF2/KFLOT/0200
AF2/6378/400	44-88	960	Ø 1710	Ø 1710		595				920	AF2/KFLOT/0400
AF2/6378/600	88-133					570	160			920	AF2/KFLOT/0600
AF2/6378/800	133-522					570	160			920	AF2/KFLOT/0800

* kit comprising: 1 assembly and ballast plate, 4 SERFLEX INOX clamps, 2 trough bellows, 2 PVC tubes, 2 head screws, 4 INOX flat washers, 2 GALVA trough head pallets, 2 float bodies