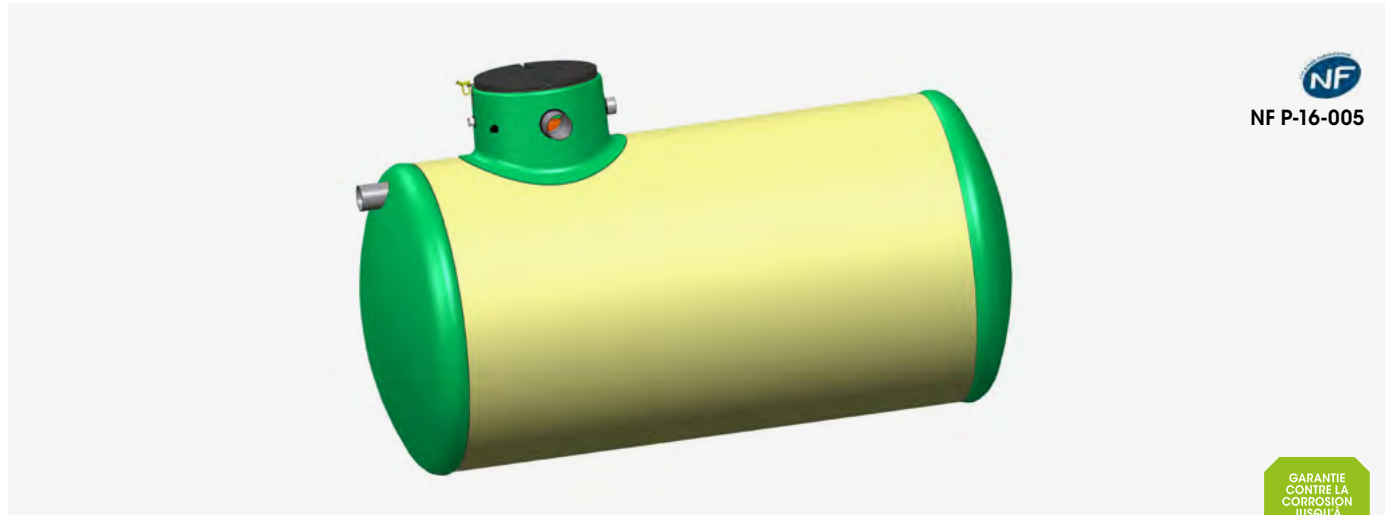


## RECOVERY TANK AQUAMOP XL

IN-GROUND INSTALLATION  
POLYESTER (GRP)

6406



RAINWATER HARVESTING | AQUAMOP

### 1 Technical definition

The rainwater harvesting tanks are made of polycomposite, and the shells are manufactured using the filament winding technique. The rainwater harvesting system collects roof water, stores it and makes it available to the user via a pumping system.


The collected water flows into the tank, first passing through a coarse-mesh filter and then a second filter with a filtration fineness of less than 1mm.

An anti-removal device ensures that the heaviest fine matter that has been decanted is not put back into suspension. When the tank is full, rainwater is bypassed into the drainage system.

 Provide a pumping and/or regulating device of the manager type, adapted to the volume of the tank and the desired use (see data sheet 6034). For other systems, please consult our technical advisors.

### 2 Maintenance

- Regular cleaning of the inlet filter is necessary.
- check condition of suction strainer.


 For annual maintenance, it will be necessary to drain and clean the walls.

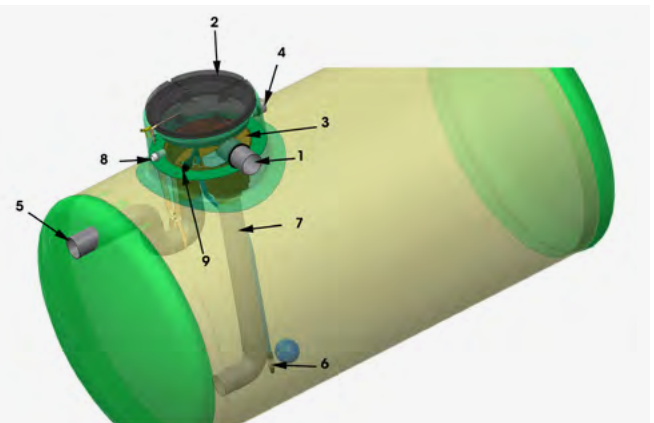
### 3 Installation

#### See PHPRV-NV leaflet

The rainwater collection tank will be buried, with easy access to the filter cover.

If the altimetric layout requires the use of risers, 1000 mm diameter risers with rungs must be used, supported on a self-supporting reinforced concrete slab (risers are not supplied).

 The 1000-diameter risers cannot be installed directly on the polycomposite tank.



1. Rainwater inlet DN 160
2. Lockable screw-on lid
3. Collector system with filter handles
4. Ventilation DN100 PVC
5. DN 160 overflow equipped with check valve
6. Suction tube with strainer and float
7. Anti-turbulence dip tube
8. Submersible pump cable outlet DN 50
9. Wall feed-through in 1 threaded for pumping system connection

### 4 Guarantee

A two-year warranty is provided.  
The vat house comes with a 10-year anti-corrosion warranty.

Update 29-10-2024

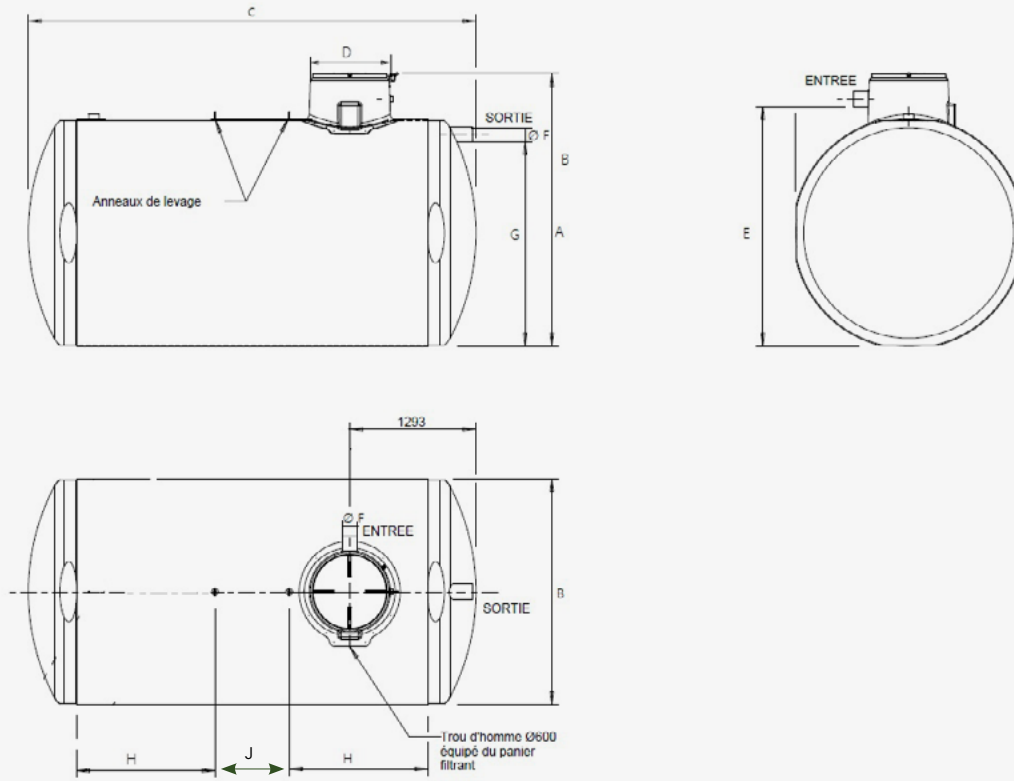
# RAINWATER HARVESTING TANK

## AQUAMOP XL FROM 10 TO 60 M<sup>3</sup>

MADE OF POLYESTER

UNDERGROUND INSTALLATION

6406



RAINWATER HARVESTING | AQUAMOP

Reference	Volume	A	ø B	C	ø D	E	ø F	G	H	J	Nb of belts (option)
CEP3/6406/1910*	10	2391	1940	4010	600	2049	160	1680	1380	452	3
CEP3/6406/1912*	12	2391	1940	4760	600	2049	160	1680	1380	1202	3
CEP3/6406/1915*	15	2391	1940	5875	600	2049	160	1680	1380	2322	3
CEP3/6406/2317	17	2391	2314	4590	600	2449	160	2090	1420	760	3
CEP3/6406/2320	20	2791	2314	5390	600	2449	160	2090	1420	1560	4
CEP3/6406/2325	25	2791	2314	6640	600	2449	160	2090	1420	2810	4
CEP3/6406/2330	30	2791	2314	7890	600	2449	160	2090	1950	3000	5
CEP3/6406/2335	35	2791	2314	9140	600	2449	160	2090	2575	3000	5
CEP3/6406/2340	40	2791	2314	10390	600	2449	160	2090	3200	3000	6
CEP3/6406/2345	45	2791	2314	11690	600	2449	160	2090	3850	3000	6
CEP3/6406/2350	50	2791	2314	12940	600	2449	160	2090	4475	3000	7
CEP3/6406/2355	55	2791	2314	14190	600	2449	160	2090	5100	3000	7
CEP3/6406/2360	60	2791	2314	15440	600	2449	160	2090	5725	3000	8

## 6 Options

**CA3/6394/10T** Anchoring belt 10 tons - 10 meters

**KTH600-23-H6-CEP-OPT** Additional manhole with D600 screw-on cover (without filtration)

**RH602** Screw-on extension Ø600, height 250mm