

EXTRA-FLAT RAINWATER STORAGE TANK FLOW-REGULATED OUTLET FROM 0.2 TO 2.5L/S

POLYETHYLENE (PE)
BURIED LAYING

5747-PLA

1 Technical definition

This rainwater storage and retention tank is equipped with a regulation system.

The system comprises a polyethylene tank to be buried, an inlet, an overflow (not regulated), and a regulation system to obtain a defined storage and retention volume.

2 Functioning

The tank receives rainwater, and the water is regulated at the outlet to a set flow rate via a removable, submerged system. A submerged bar screen and a sludge sedimentation zone retain solids. A self-cleaning core, rotating around a calibrated diaphragm, complements the bar screen to avoid clogging the regulation system.

The system is equipped with an overflow (also fitted with a bar screen). In addition to regulating water outflow, the tank can be used to store water and/or buffer a defined volume.

3 Installation

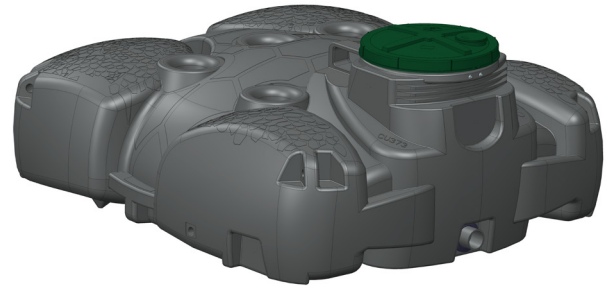
SIMOP extra-flat tanks can be installed above or below ground. In the latter case, please refer to the PHPEPLA installation instructions.

4 Maintenance

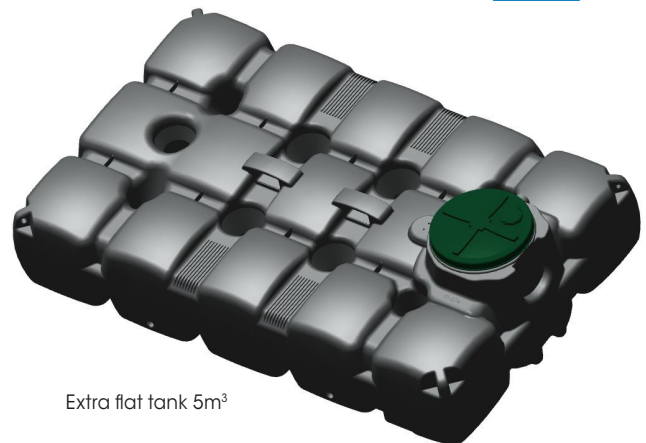
Periodically clean the tank bottom

Periodically clean the control system

Extra flat tank 3m³

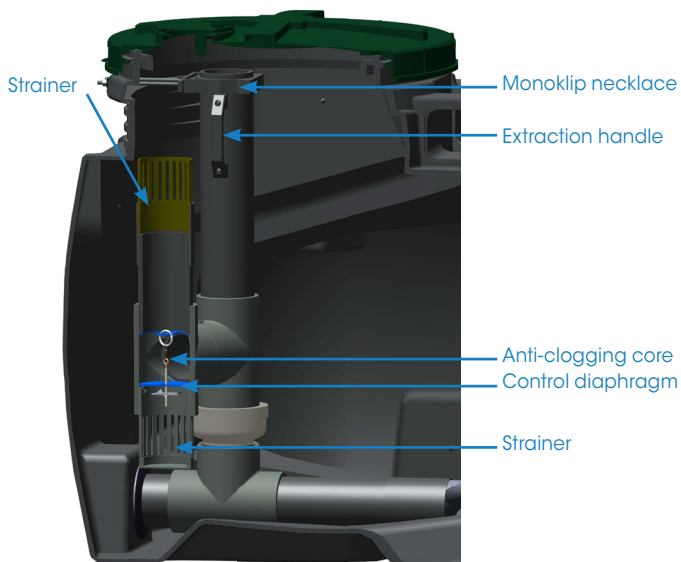


GARANTIE
CONTRE LA
CORROSION
JUSQU'À
10 ANS



Extra flat tank 5m³

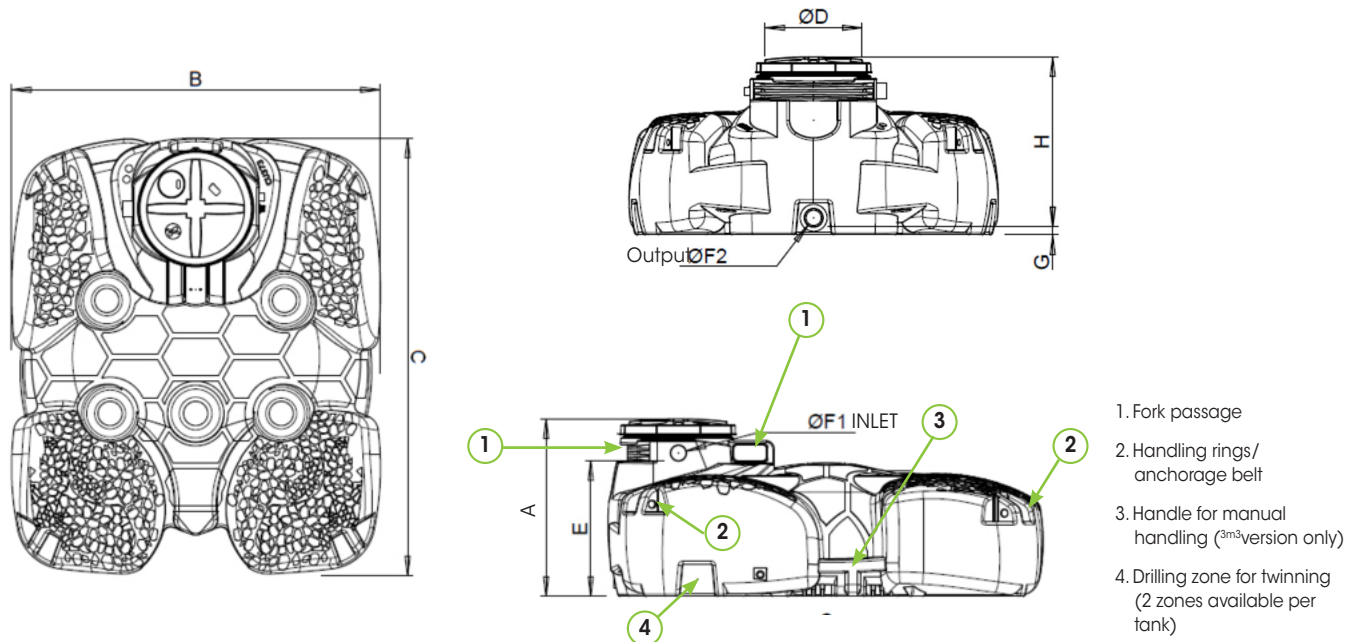
RAINWATER TREATMENT | RAINWATER HARVESTING



EXTRA-FLAT RAINWATER STORAGE TANK FLOW-REGULATED OUTLET FROM 0.2 TO 2.5L/S

POLYETHYLENE (PE)

BURIED LAYING



1. Fork passage
2. Handling rings/
anchorage belt
3. Handle for manual
handling (3^{m³} version only)
4. Drilling zone for twinning
(2 zones available per
tank)

| Reference | Volume | A | B | C | Ø D | E (inlet thread) | Input Ø F1 | Output Ø F2 | G (Water outlet) | H | Weight (Kg) | Total volume (L) | Storage volume (L) | Buffer volume (L) |
|-----------------|--------|------|------|------|-----|------------------|------------|-------------|------------------|------|-------------|------------------|--------------------|-------------------|
| REGU/5747/3PLAT | 3000 L | 1099 | 2280 | 2700 | 600 | 840 | 100 | 110 | 58 | 1041 | 182 | 3000 | 1500 | 1500 |
| REGU/5747/5PLAT | 5000 L | 1099 | 2280 | 3500 | 600 | 840 | 100 | 110 | 58 | 1041 | 252 | 5000 | 2500 | 2500 |

IMPORTANT see page 3/3 for the choice of the flow restrictor part number (BREG...) to be added to the tank part number REGU/5747/...

5 Options

| | |
|-------------|--|
| CA3/10/3T/2 | Set of 2 3-ton anchoring belts for 3, 4, 5 and 6 m pits ³ |
| RH2/6031 | Screw-on extension, can be cut to size, height 300mm |
| KITJUM50 | DN50 quick coupling kit |

EXTRA-FLAT RAINWATER STORAGE TANK FLOW-REGULATED OUTLET FROM 0.2 TO 2.5L/S

POLYETHYLENE (PE)

BURIED LAYING

6 Defining references

1. Select the output flow rate in the "Output flow rate (L/s)" column.
2. Select the storage volume in the "Storage volume (m³)" column.
3. Deduce the tank reference and the limiter base reference.

Example of choice :

Outlet flow 0.4 L/s, storage volume 2.5m³ and buffer volume 2.5 m³

The tank reference will be **REGU/5747/5PLAT** and add the nozzle reference **BREG2005**

| Output flow (L/s) | Storage volume (m ³) | Buffer volume (m ³) | Tank reference | Part no. flow restrictor base |
|-------------------|----------------------------------|---------------------------------|-----------------|-------------------------------|
| 0.2 | 1.5 | 1.5 | REGU/5747/3PLAT | BREG2015 |
| | 2.5 | 2.5 | REGU/5747/5PLAT | BREG2015 |
| 0.3 | 1.5 | 1.5 | REGU/5747/3PLAT | BREG1805 |
| | 2.5 | 2.5 | REGU/5747/5PLAT | BREG1805 |
| 0.4 | 1.5 | 1.5 | REGU/5747/3PLAT | BREG2005 |
| | 2.5 | 2.5 | REGU/5747/5PLAT | BREG2005 |
| 0.5 | 1.5 | 1.5 | REGU/5747/3PLAT | BREG2305 |
| | 2.5 | 2.5 | REGU/5747/5PLAT | BREG2305 |
| 0.75 | 1.5 | 1.5 | REGU/5747/3PLAT | BREG2910 |
| | 2.5 | 2.5 | REGU/5747/5PLAT | BREG2910 |
| 1 | 1.5 | 1.5 | REGU/5747/3PLAT | BREG3310 |
| | 2.5 | 2.5 | REGU/5747/5PLAT | BREG3310 |
| 1.25 | 1.5 | 1.5 | REGU/5747/3PLAT | BREG3815 |
| | 2.5 | 2.5 | REGU/5747/5PLAT | BREG3815 |
| 1.50 | 1.5 | 1.5 | REGU/5747/3PLAT | BREG4115 |
| | 2.5 | 2.5 | REGU/5747/5PLAT | BREG4115 |
| 1.75 | 1.5 | 1.5 | REGU/5747/3PLAT | BREG4105 |
| | 2.5 | 2.5 | REGU/5747/5PLAT | BREG4105 |
| 2 | 1.5 | 1.5 | REGU/5747/3PLAT | BREG4715 |
| | 2.5 | 2.5 | REGU/5747/5PLAT | BREG4715 |
| 1.25 | 1.5 | 1.5 | REGU/5747/3PLAT | BREG4705 |
| | 2.5 | 2.5 | REGU/5747/5PLAT | BREG4705 |
| 2.50 | 1.5 | 1.5 | REGU/5747/3PLAT | BREG5005 |
| | 2.5 | 2.5 | REGU/5747/5PLAT | BREG5005 |