

## REINFORCED ALL-WATER TANKS

FROM 3 TO 8 M<sup>3</sup>

WITH BUILT-IN PRE-FILTER  
UNDERFLOOR INSTALLATION  
POLYETHYLENE (PE)

6009

GARANTIE  
CONTRE LA  
CORROSION  
JUSQU'À

20 ANS



3 M3 ALL-WATER TANK



4 AND 5 M3 ALL-WATER TANK



6 AND 8 M3 ALL-WATER TANKS



WASTEWATER TREATMENT

### 1 Technical definition

An all-water tank is a pre-treatment structure designed to retain settleable matter present in domestic wastewater from a dwelling. Domestic wastewater includes black water (WC, etc.) and grey water (bathroom, kitchen, laundry). A complete wastewater treatment system consists of an all-water tank and an ancillary treatment system (sand filter, spreading network, ZEOMOP or BIONUT compact filter).

The pre-filter integrated into the all-water tank is located at the outlet. Reliable and safe, it prevents premature clogging of the downstream treatment system (sand filter, sewage system, etc.) by retaining unsettled particles. It is easy to handle and maintain. To avoid any risk of floatation during maintenance visits, the system automatically closes the outlet to the downstream treatment system.



Pre-filter  
ultra-performance

< Top view of an INR pit

### 2 Maintenance

The capacities of the SIMOP all-water tanks take into account 2 criteria:

- Sludge storage volume
- the admissible flow rate

These criteria have enabled SIMOP to characterize the type of tank adapted to the need according to the permanent or non-permanent use of the grouped habitat. On the basis of 150 liters of water consumed per day and per inhabitant, our all-water pits can be used according to table 01.

### 3 Ventilation

No ventilation tapping is provided on the tank. Primary and secondary ventilation must be provided respectively upstream and downstream of the pit (cf. standard XP P16-603, ex NF DTU 64.1, available from AFNOR).

### 4 Installation

- Underground installation up to the water outlet.
- Please refer to the PHPE installation instructions before handling and installing the tank.
- Maximum backfill height above pit = 60 cm.

### 5 Sizing

The interministerial decree of 07/03/12 modified by the decree of 7/03/2012 stipulates the following minimum dimensions:

No. of parts main	Minimum useful volume	SIMOP references
5	3 m <sup>3</sup>	FTE2/6009/03
6	4 m <sup>3</sup>	FTE2/6009/04
7	5 m <sup>3</sup>	FTE2/6009/05
8	6 m <sup>3</sup>	FTE2/6009/06
10	8 m <sup>3</sup>	FTE2/6009/08

### 6 Advice

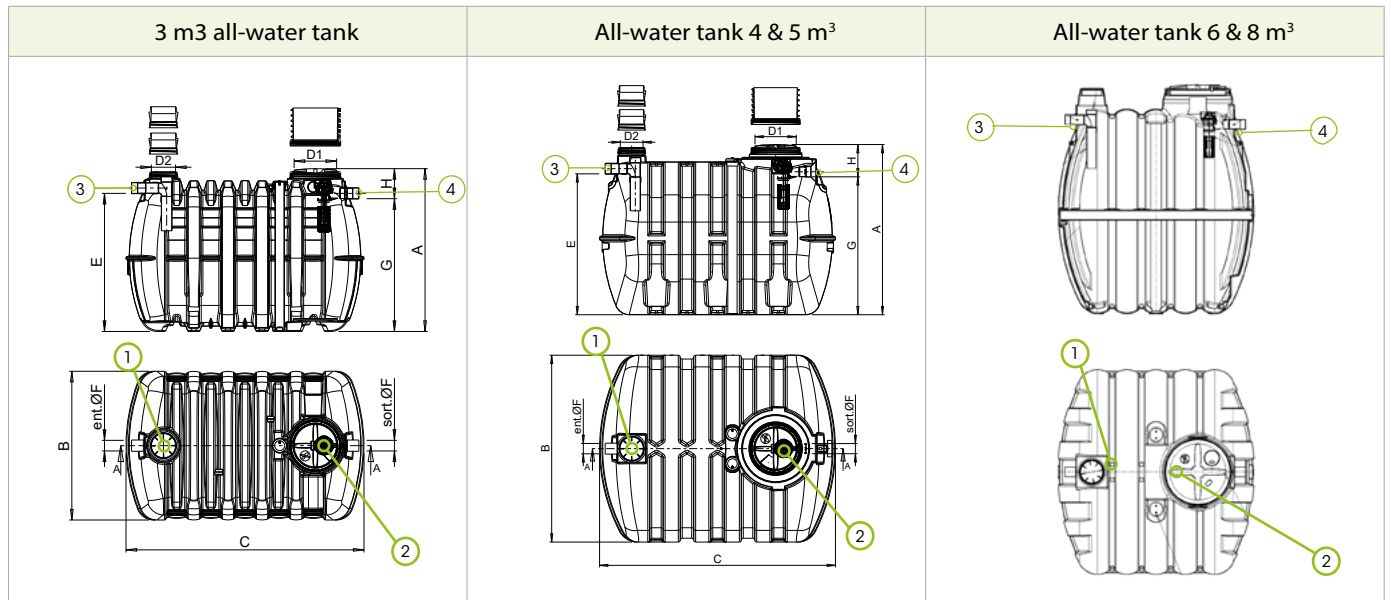
To reduce the proliferation of mosquitoes in the system, the effluent must not be accessible from the outside, therefore :

- close all lids tightly,
- check and clean the insect screens on the outside air intake caps regularly,
- ensure that the secondary ventilation outlet is equipped with a mosquito screen or odor filter.

# REINFORCED ALL-WATER TANKS

FROM 3 TO 8 M<sup>3</sup>  
WITH BUILT-IN PRE-FILTER  
POLYETHYLENE (PE)

**6009**



- ① Diffuser
- ② Anti-clogging pre-filter
- ③ Sleeve
- ④ Strong interlocking

WASTEWATER TREATMENT

References	Vol. in l	A	B	C	Ø D1	Ø D2	E (FEE)	F	G (FES)	H	Weight in kg	Max. back-fill height (mm)
FTE2/6009/03	3 000	1 533	1 400	2 240	Ø 400	Ø 200	1 300	Ø 100	1 250	283	140	600
FTE2/6009/04	4 000	1 649	1 810	2 287	Ø 400	Ø 200	1 365	Ø 100	1 335	314	185	600
FTE2/6009/05	5 000	1 799	1 977	2 390	Ø 400	Ø 200	1 500	Ø 100	1 470	329	220	600
FTE2/6009/06	6 000	2 465	2 200	2 100	Ø 600	Ø 200	2 040	Ø 160	1 990	475	303	600
FTE2/6009/08	8 000	2 465	2 200	2 720	Ø 600	Ø 200	2 040	Ø 160	1 990	475	427	600

PE	FTE reference	RH2/4031 Ø x height 300 mm	RH2/6031 Ø x height 300 mm	RH2/03/15 Ø x height 150 mm
5 EH	FTE2/6009/03	X		X
6 EH	FTE2/6009/04	X		
7 p.e.	FTE2/6009/05	X		
8 p.e.	FTE2/6009/06		X	
10 p.e.	FTE2/6009/08		X	

14-11-2024