

3 TO 8M³ UNDERGROUND RESERVOIR REGULATION AND/OR DES WATER STORAGE POLYETHYLENE (PE)

6020

GARANTIE
CONTRE LA
CORROSION
JUSQU'À
10 ANS



1 Technical definition

Underground storage tank in non-food-grade black high-density polyethylene. Screw-on lid. Tanks can be twinned (refer to optional twin kit).

2 Maintenance

The reservoir requires no special maintenance. It simply needs to be drained periodically.

3 Fence

In the absence of a self-supporting reinforced concrete slab, and if there is a risk of vehicle traffic, we strongly recommend fencing off the area around the structure.

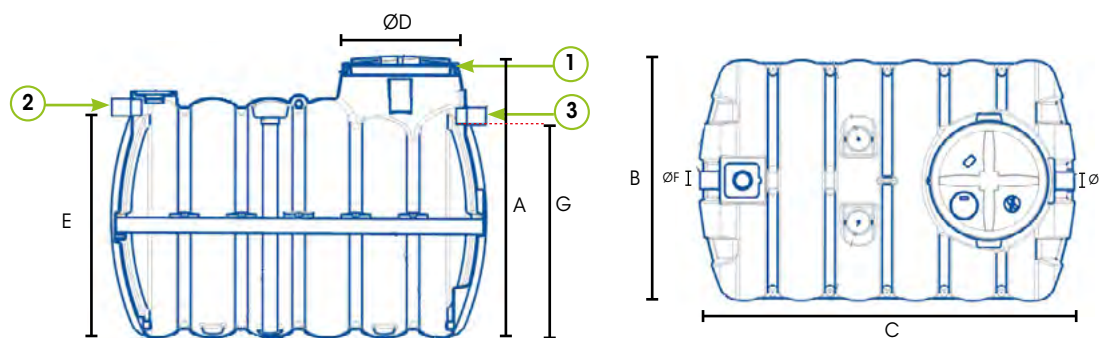
5 Control / storage

For systems with a regulation component, they limit the discharge of stormwater into the natural environment. In the event of intense rainfall, they help reduce the risk of overloading the downstream stormwater network (overflowing ditches, downspouts, flooding, etc.).

We offer tanks for regulation or combined storage and regulation. We can also adapt the output flow rate to suit your needs. Please contact us

4 Installation

Refer to installation instructions **P052**.



Reference	Volume	A*	$\varnothing B$	C	$\varnothing D1$	$\varnothing D2$	E	$\varnothing F$	G	Weight
CSR2/6020/03TH6	3000 L	1700	1450	2265	600	718	1340	100	1290	122
CSR2/6020/05TH6	5000 L	1951	1977	2390	600	718	1500	100	1470	155
CSR2/6020/06TH6	6000 L	2464	2202	2103	600	718	2040	100	1990	239
CSR2/6020/08TH6	8000 L	2464	2202	2701	600	718	2040	100	1990	317

*Lid height included, lid height 101mm

Options	
RH2/6031	Screw-in polyethylene extension. $\varnothing 600$ Height 300mm (only 1 extension possible)
CA3/10/3T/2	Set of 2 3-ton anchoring belts for 3, 4, 5, 6 m tanks ³
CA3/10/3T/3	Set of 3 anchoring belts for 8 m tank ³
KITJUM50	Kit for combining 2 tanks into 1