

## AQUAMOP 3 TO 8 M<sup>3</sup>

RAINWATER HARVESTING TANK  
POLYETHYLENE (PE)  
IN-GROUND INSTALLATION

6022

GARANTIE  
CONTRE LA  
CORROSION  
JUSQU'À

10 ANS



### 1 Technical definition

The rainwater harvesting system collects and stores roof water, which is then made available to the user via a pumping system.

Collected water flows into the tank by first passing through a downspout filter and then the tank filter, which has a filtration fineness of less than 1 mm.

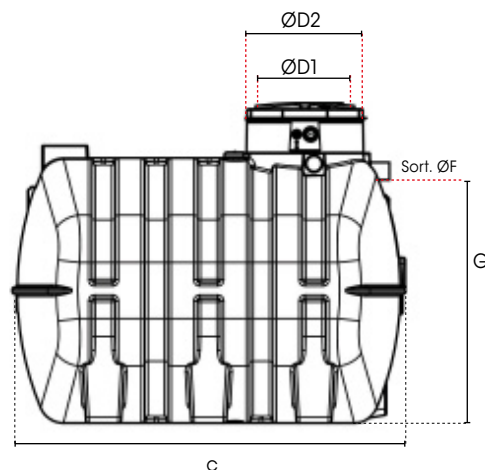
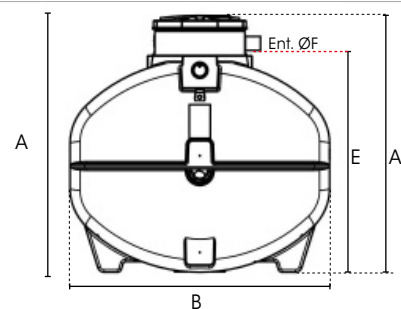
An anti-settling device prevents the heaviest fine matter from being resuspended after settling. When the tank is full, excess water is returned to the collection network or to an overflow. A pumping device is required for easy operation (optional). Extra-flat tank made of linear medium-density polyethylene

### 2 Maintenance

- Inlet filter cleaning
- Check condition of suction strainer
- Emptying: complete emptying at the end of summer, with cleaning and suction of deposits at the bottom of the tank before refilling in winter.

### 3 Water requirements - A family with 4 children

Watering	30m <sup>3</sup> /year
WC	from 30 to 60m <sup>3</sup> /year
Cleaning/washing floors	3m <sup>3</sup> /year
Washing machine	from 11 to 18m <sup>3</sup> /year
	<b>Between 74 and 111 m<sup>3</sup>/year</b>



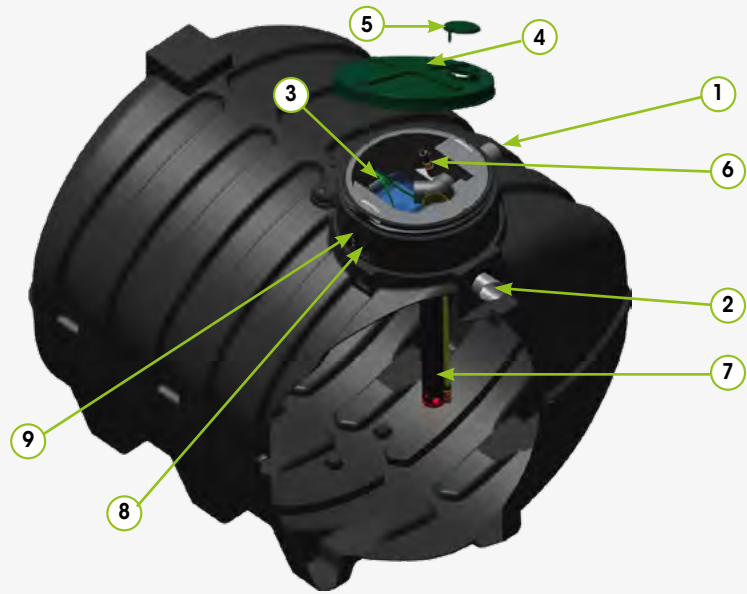
Reference	Volume	A*	B	C	ø D1	ø D2	E (inlet)	ø F	G output	Weight
CEP2/6022/03TH6	3000 L	1700	1450	2264	600	718	1440	100	1258	140
CEP2/6022/05TH6	5000 L	1951	1977	2390	600	718	1689	100	1484	173
CEP2/6022/06TH6	6000 L	2464	2202	2103	600	718	2204	100	1987	288
CEP2/6022/08TH6	8000 L	2464	2202	2701	600	718	2204	100	1987	366

\*Lid height included, lid height 101mm

# AQUAMOP 3 TO 8 M<sup>3</sup>

RAINWATER HARVESTING TANK  
POLYETHYLENE (PE)  
IN-GROUND INSTALLATION





1. DN100 inlet
2. DN100 outlet
3. Collector system with handles, including fixed 5mm filter and removable 1mm mesh basket
4. Screw-on lid
5. Access hatch for quick connection
6. Integrated discharge kit, quick-fit coupling with valve for connection to DN19 pipe for submersible pump with 1" thread.
7. Anti-burrow tube
8. Drilling with DN25/32 porthole seal for submerged pump electrical cable entry
9. Hole with DN50/63 porthole seal for suction tube passage (to be used if KPI-1/KASP6/KRAL32-1 kit is connected)



Supplied with delivery kit for sprinklers with quick-release coupling






## 6 Options

<b>PP58/06-1</b>	Submersible and surface pumps	See FT 6032
<b>PP58/11</b>	Pumping kit with manager	
<b>CA3/10/3T/2</b>	Set of 2 3-ton anchoring belts for 3, 4, 5 and 6 m pits <sup>3</sup>	
<b>FDG12</b>	Simplified downspout filter	
<b>FGU11</b>	UV filtration system	
<b>RH2/6031</b>	Screw-on extension, can be cut to size, height 300mm (only 1 extension per manhole possible)	
<b>KITJUM50</b>	DN50 quick coupling kit	See FT 6022AC
<b>KASP6</b>	Kit for connection to overhead pump via DN25 compression fitting, equipped with strainer and float at suction into tank	
<b>KRAL32-1</b>	7m extension kit (can be cut to size if required) of OPAL POOLHOSE DN25 reinforced flexible PVC pipe fitted with a 1" threaded compression fitting and a 1" compression fitting.	
<b>KPI-1</b>	Discharge kit for submersible pump, connection to a 1" pump and discharge via a DN25 compression fitting, additional connection of the integrated discharge kit (quick coupling) to the 1" T	

# AQUAMOP 3 TO 8 M<sup>3</sup>

RAINWATER HARVESTING TANK  
POLYETHYLENE (PE)  
IN-GROUND INSTALLATION

	Submersible pump (in tank)			Surface pump	Water manager
	Watering			Watering	WC, washing machine, sprinkler system
	Quick coupling	Tap	Quick connector + tap		
Integrated discharge kit (included) 	including		included		
KPI-1 			1 +		
KRAL32-1 		1	1	1 +	1 +
KASP6 				1 +	1 +

**Example :** I want to integrate a submersible pump in my tank for watering the garden. I'd like to connect both to a tap and from the quick connector built into my tank.

I'll need the following options:

- discharge kit (already included) • KPI-1 • KRAL32-1