

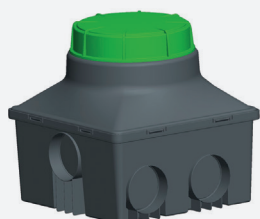
JUNCTION BOXES

Ø 100. INLET AND OUTLET

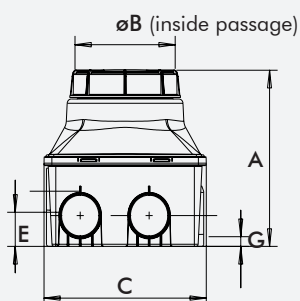
POLYETHYLENE (PE)

Accessories

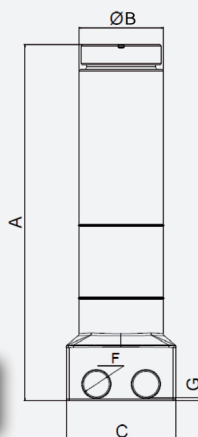
6060



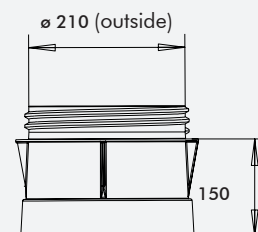
Distribution box and looping
REP2/04/04



Collection box
REC2/02/13



Extension shaft
RH2/03/15



1 Use

Upstream or downstream of the wastewater treatment system.

2 Technical definition

- Designed for effluent transit in compliance with XP DTU 64.1.
- Facilitates pipe maintenance and effluent sampling.
- Impermeable to parasitic waters
- Insensitive to H₂S.

Reference	Dimensions in mm					
	A	B (Inside Ø)	C	E	Ø F	G
REP2/04/04	400	220	400	75	100	20
REC2/02/13	1300	220	400	/	100	10
RH2/03/15	Screw-on polypropylene extension Ø 210 mm - useful height 150 mm					