

MANUAL BAR SCREEN

POLYETHYLENE (PE)

Accessories

6360

1 Use

Protects the installation of a wastewater treatment plant by retaining the largest objects larger than 15 mm.

2 Technical description

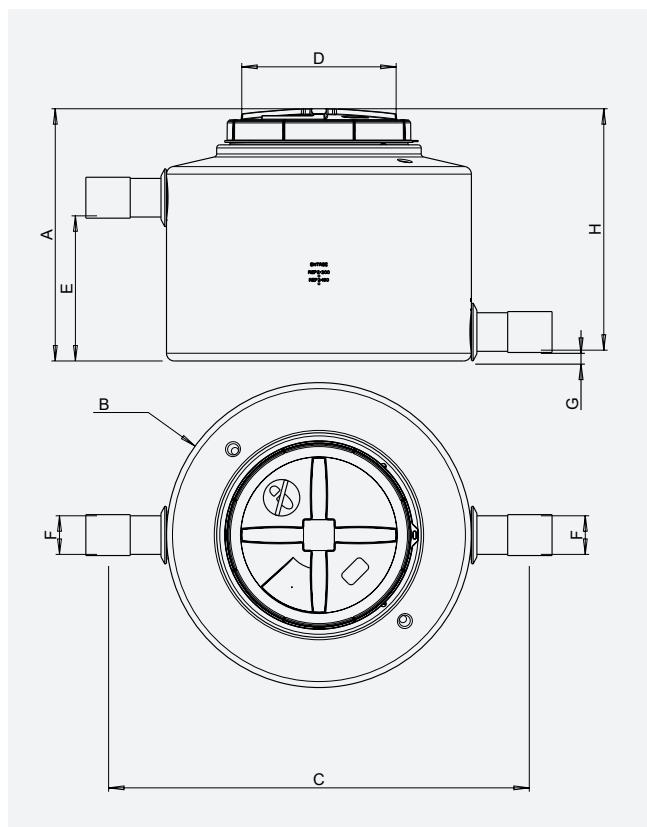
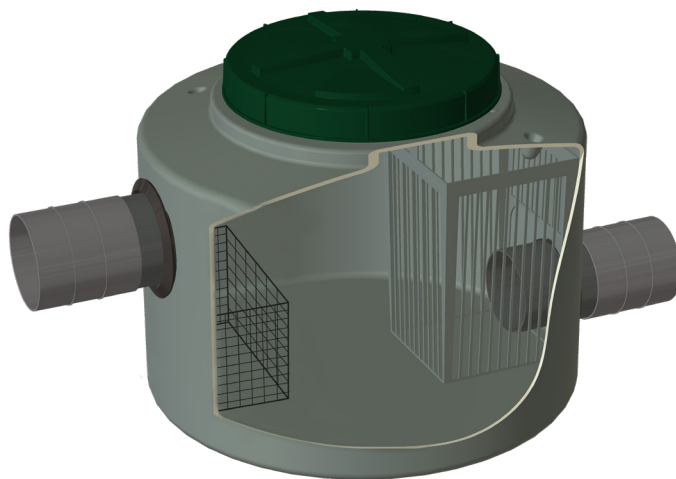
A bar screen is used to separate and evacuate bulky matters expelled by the effluent and which could disturb the operation of the installation. Coarse material larger than 15mm is blocked by the outlet screen.

3 Installation

- The unit is installed outside of the building and sits perfectly level.
- It must be buried outside a place where vehicles pass. Its cover must be at ground level and remain accessible for maintenance. The bottom of the pit must be covered with 10 cm of sand. The backfil should be done with sand and under no circumstances with stone or gravel.
- The use of extension shafts is not recommended for easy cleaning of the system.

4 Maintenance

- The maintenance consists of eliminating the screening which will be evacuated with the household waste. This can be done manually with a shovel, or by suction. Given its design, the SIMOP bar screen offers a large waste storage capacity, thus spacing out its maintenance. In case of blockage of the basket, the bar screen can work temporarily thanks to the overflow system.
- Rinse the device with clean water.



WASTEWATER TREATMENT | ANC > 20 EH

Reference	Sizes in mm								Total volume (liters)
	A	Ø B	C	D	E	Ø F	G	H	
DG2/15-100	654	Ø 790	1090	Ø 400	376	Ø 100	28	626	100
DG2/15-160					278	Ø 160			160
DG2/15-200					278	Ø 200			200