

DISTRIBUTION MANHOLES

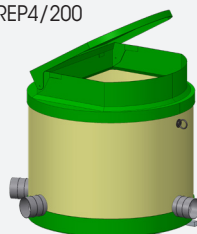
POLYETHYLENE (PE) AND POLYESTER (GRP)

6369

Distribution manhole 1E/2S
REP2/160 and REP2/200

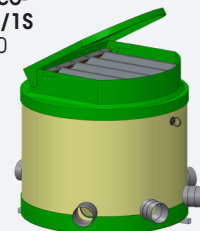


Manhole cover 1E/4S
REP4/160 and REP4/200

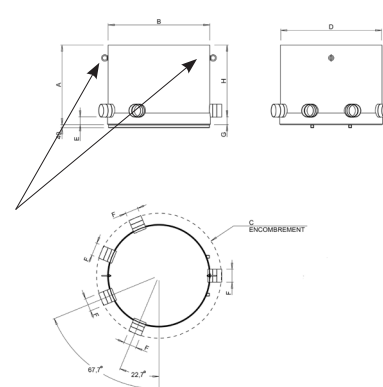
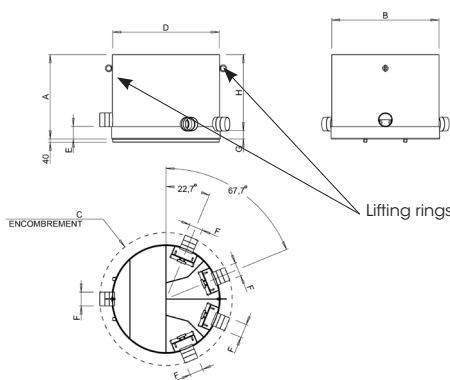
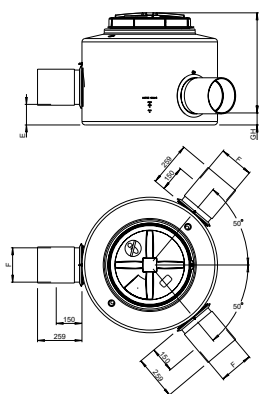


Supplied with 4 standard knife gate valves

Collection manhole with cover and anti-drop grate 4E/1S
REC4/160 and REC4/200



Supplied with 1 blanking plug as standard



1 Technical definition

Manholes ensure equal distribution of effluent upstream (distribution manholes) or downstream (collection manholes) of a process consisting of several tanks in parallel.

They are fitted with 160 or 200 mm blanking plugs (REP2) or gate valves (REP4) to temporarily block one or more outlets.

2 Installation

The REP4 and REC4 are equipped with lifting rings and 2 galvanized bars 40 x 40.

- The requirements of the XP DTU 64.1 standard should be complied with.
- The main points to bear in mind when installing distribution boxes (excavation and installation) are :
 - Creation of a 0.10 m thick laying bed.
 - The flatness of the manhole after installation.
 - Surface backfilling with sand.
 - Accessibility and visibility of visit pads.

Manholes of the same reference can be coupled to increase the number of outputs.

3 Maintenance

- Periodically clean the unit with clean water.
- We remind you that the unit is delivered with 2 plugs or valves which can be used to block one or both outlets to facilitate self-cleaning or maintenance.

4 Options

RH2/4031	Screw-on extension - 300mm (for REP2/160 or REP2/200)
REP4/160/CV and REP4/200/CV	Manholes with cover. Height with cover: 1260 mm. Lid opening 917x1039 mm. Total weight 300 kg
REP4/160/CVG and REP4/200/CVG	Manhole covers with cover and fall protection grid. Height with cover: 1260 mm Cover opening 917x1039 mm. Total weight 300 kg
REC4/160/CV and REC4/200/CV	Collection manholes with cover. Height with cover: 1260 mm. Lid opening 917x1039 mm. Total weight 200 kg
REC4/160/CVG and REC4/200/CVG	Collection manholes with cover and anti-drop grid. Height with cover: 1260 mm. Lid opening 917x1039 mm. Total weight 200 kg

Reference	Dimensions in mm								Weight (kg)
	A	B	C	D	E	F	G	H	
REP2/160	654	Ø 790	1090	Ø 400	120	Ø 160	70	584	20
REP2/200						Ø 200			
REP4/160	1026	Ø 1310	1617	Ø 1300	153	Ø 160	101	925	240
REP4/200						Ø 200			
REC4/160	1026	Ø 1310	1617	Ø 1300	101	Ø 160	101	925	170
REC4/200						Ø 200			