

## VISIMOP II MONOBLOC INSPECTION BOX Ø600

FOR PVC DN125\*/160/200

3 INPUTS - 1 OUTPUT

\* INPUT ONLY

**5455**

### 1 Advantages

- Multiple PVC connections DN 125/160/200.
- Multiple connection angles.
- Complies with the general specifications of standard NF EN 476 and designed in accordance with standard NF EN 13598-2.
- Complies with the characteristics described in the NF 442 certification standard.

### 2 Installation

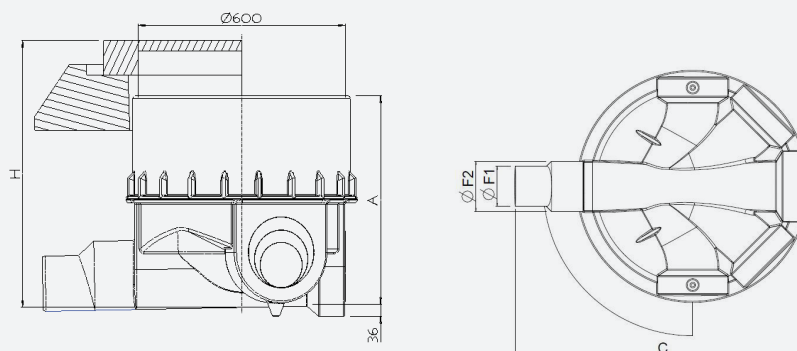
Refer to installation instructions P031)

- The manhole head can be cut by 150 mm.
- Height difference of 10 mm between inlet and outlet watercourse in direct route.
- Height difference of 20 mm between 67.5° inlet water and outlet water.
- 2% slope on the direct passage



CSTB - MARK NF442

Gravity drainage in thermoplastic materials  
All product features certified under decision no. 78-04



H = HEADROOM/CAST-IRON BUFFER TOP

The RCB602-20 load distributor was used to calculate the H dimension (dimensions on page 17)

REFERENCES	TECHNICAL DATA FOR PVC PIPE						
	A	C	Ø F1	Ø F2	H without cutting	H with max. cut-out	NF A certified
5455D09PV-06	600	909	160	200	820	670	YES
5455D09PV-08	800	909	160	200	1020	870	YES
5455D09PV-10	1000	909	160	200	1220	1070	YES
5455D09PV-12	1200	909	160	200	1420	1270	YES
5455D09PV-14	1400	909	160	200	1620	1470	YES
5455D09PV-16	1600	909	160	200	1820	1650	YES
5455D09PV-18	1800	909	160	200	2020	1870	YES
5455D09PV-20	2000	909	160	200	2220	2070	YES
5455D09PV-22	2200	909	160	200	2420	2270	YES
5455D09PV-24	2400	909	160	200	2620	2470	YES
5455D09PV-26	2600	909	160	200	2820	2670	YES
5455D09PV-28	2800	909	160	200	3020	2870	NO
5455D09PV-30	3000	909	160	200	3220	3070	NO



**ACCESSORIES** : see data sheets 5496 and 5498 - Caution: for use with RCB602-15 distributor, see data sheet 5498

The unit is NF a-certified, provided SIMOP accessories are used (hole saw, joint, concrete load distributor).